

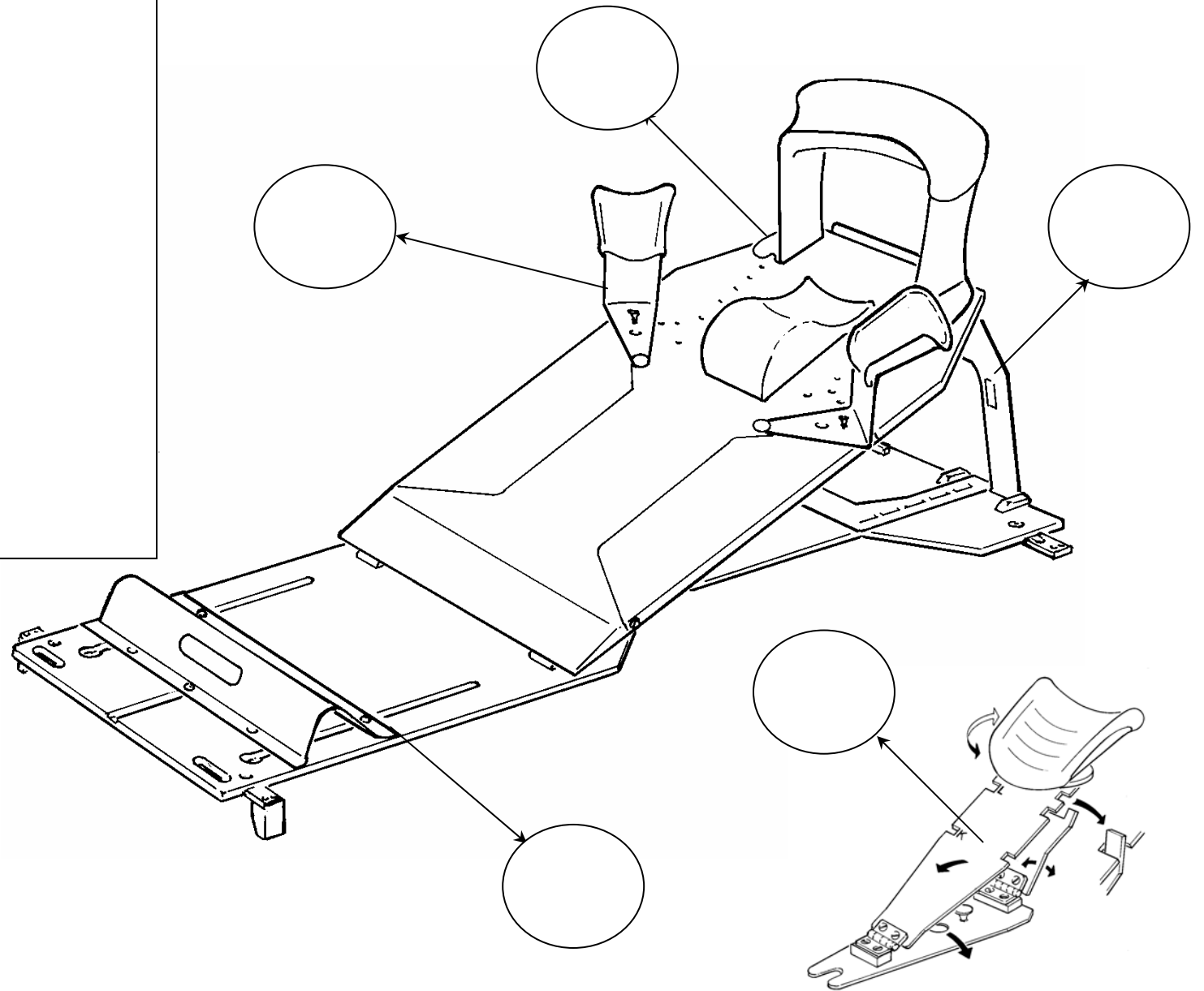
SET-UP SHEET

Posiboard™-2

Patient:

Date:

Notes:



Global Sales Office
Orange City, Iowa, USA
800.842.8688 | +1 712.737.8688

info@CivcoRT.com
www.CivcoRT.com

COPYRIGHT © 2022. CIVCO IS A REGISTERED TRADEMARK OF CIVCO MEDICAL SOLUTIONS. CIVCO RADIOTHERAPY, CIVCO RT AND POSIBOARD-2 ARE TRADEMARKS OF MEDTEC LLC. ALL OTHER TRADEMARKS ARE PROPERTY OF THEIR RESPECTIVE OWNERS. ALL PRODUCTS MAY NOT BE LICENSED IN ACCORDANCE WITH CANADIAN LAW.
2006R0144 REV C

CIVCO
Radiotherapy™