

# Universal Couchtop™ Long Extension

## CIVCO RT Technical Data Sheet



<b>Product Name</b>	Universal Couchtop™ Long Extension (UCT LE)		
<b>Product Number</b>	<b>CT:</b> GE VCT 2000: <b>MTIL6343</b> GE VCT 1700: <b>MTIL6343</b> GE Discovery ST: <b>MTIL6341</b> GE HiSpeed: <b>MTIL6341</b> Phillips Brilliance: <b>MTIL6440</b> Siemens Biograph mCT: <b>MTIL6049</b> Siemens Somatom Sensation: <b>MTIL6043</b> Siemens Definition PHS 4: <b>MTIL6046</b> Siemens Definition MPT: <b>MTIL6045</b> Siemens Definition PHS 1A/B: <b>MTIL6044</b> Siemens Somatom go. and X.cite Vario 2: <b>MTIL6048</b> Siemens Somatom go. and X.cite VarioRT: <b>MTIL6047</b> Toshiba Aquilion: <b>MTIL6540</b> Toshiba Aquilion One: <b>MTIL6541</b>	<b>Linac:</b> Siemens TXT: <b>MTIL6040</b> Siemens ZXT: <b>MTIL6041</b> Elekta: <b>MTIL6240</b> Protura™ on Varian: <b>MTIL6141</b> Varian Exact: <b>MTIL6140</b> Varian Truebeam™: see Universal Couchtop LE on TrueBeam Technical Data Sheet <b>Proton:</b> IBA F-Series: <b>MTIL6840</b> IBA L-Series: <b>MTIL6841</b>	
<b>Compatible Extensions</b>	<b>Head &amp; Neck:</b> <b>MTIL6664</b> <b>MTIL6670</b> <b>MTIL6665</b> <b>MTIL6671</b> <b>MTIL6666</b> <b>MTIL6672</b> <b>MTIL6668</b> <b>MTIL6682</b>	<b>Rectangular:</b> <b>MTIL6660</b> <b>MTIL6667</b> <b>MTIL6661</b> <b>MTIL6669</b> <b>MTIL6662</b> <b>MTIL6673</b> <b>MTIL6663</b> <b>MTIL6676</b> <b>MTIL6684</b>	
<b>General Description</b>	The Universal Couchtop Long Extension is a strong and lightweight couchtop with low attenuation and surface dose. It utilizes 7 cm indexing with extension options to treat many disease sites.		
<b>Indications for use</b>	<p><b>MTIL6040, MTIL6041, MTIL6043, MTIL6044, MTIL6045, MTIL6046, MTIL6140, MTIL6141, MTIL6240, MTIL6341, MTIL6343, MTIL6440, MTIL6540, MTIL6541, MTIL6662, MTIL6663:</b> The device is intended to support and aid in positioning a patient during radiologic and other medical procedures.</p> <p><b>MTIL6664, MTIL6665, MTIL6666, MTIL6668, MTIL6670, MTIL6671, MTIL6672, MTIL6682:</b> The device is indicated to aid in supporting, positioning, and/or immobilization of adult and pediatric patients undergoing radiation therapy of the head, brain, neck, and spine including radiosurgery and electron, photon, and proton treatments. The device is also used during image acquisition to support treatment planning.</p> <p><b>MTIL6047, MTIL6048, MTIL6660, MTIL6661, MTIL6667, MTIL6669, MTIL6673, MTIL6676, MTIL6684, MTIL6840, MTIL6841:</b> The device is indicated to aid in supporting and positioning adult and pediatric patients undergoing radiation therapy including electron, photon, and proton treatments. The device is also used during image acquisition to support treatment planning.</p>		
<b>Contraindications</b>	None		
<b>Integration</b>	Not Applicable		
<b>FDA Clearance</b>	Yes		
<b>CE Marked (EU DOC)</b>	Yes		
<b>Other Country Registrations</b>	Available upon request		
<b>Country of Manufacture</b>	USA		
<b>Warranty</b>	<a href="#">See CIVCO RT website for Product Warranty Statement</a>		
<b>Launch Date</b>	October 2011		

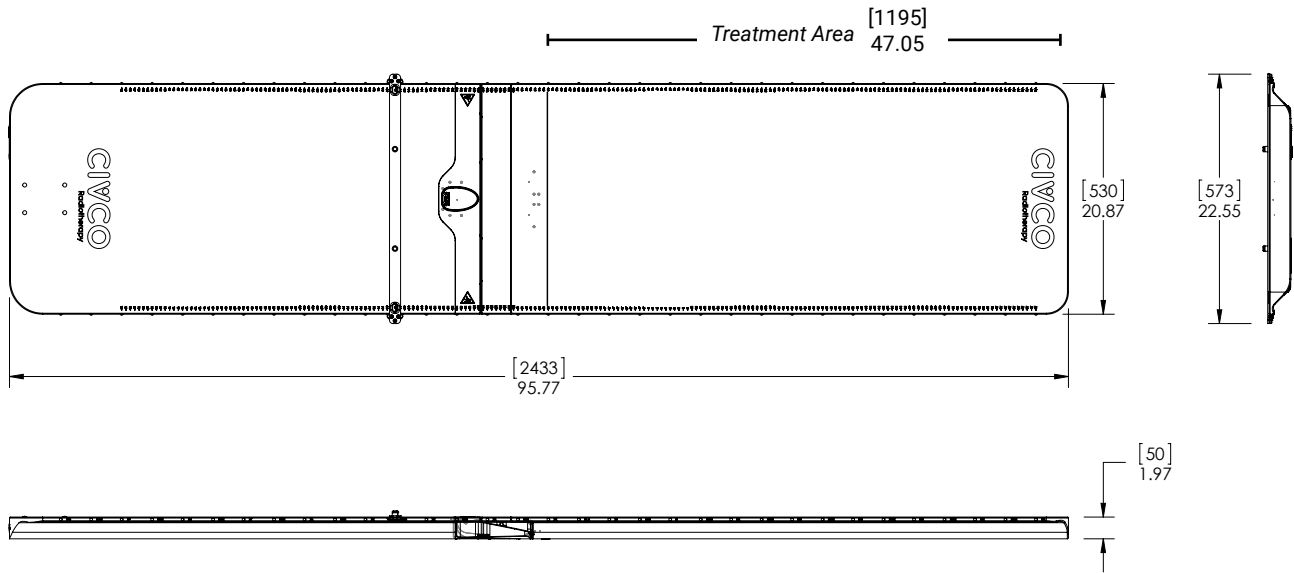
# Technical Details

**Primary Materials** Carbon Fiber Composite, Aluminum Acetal

**Weight (approx)** 16.33 kg / 36 lbs

**Dimensions (mm)** 2433 L x 530 W x 50 H (min.)

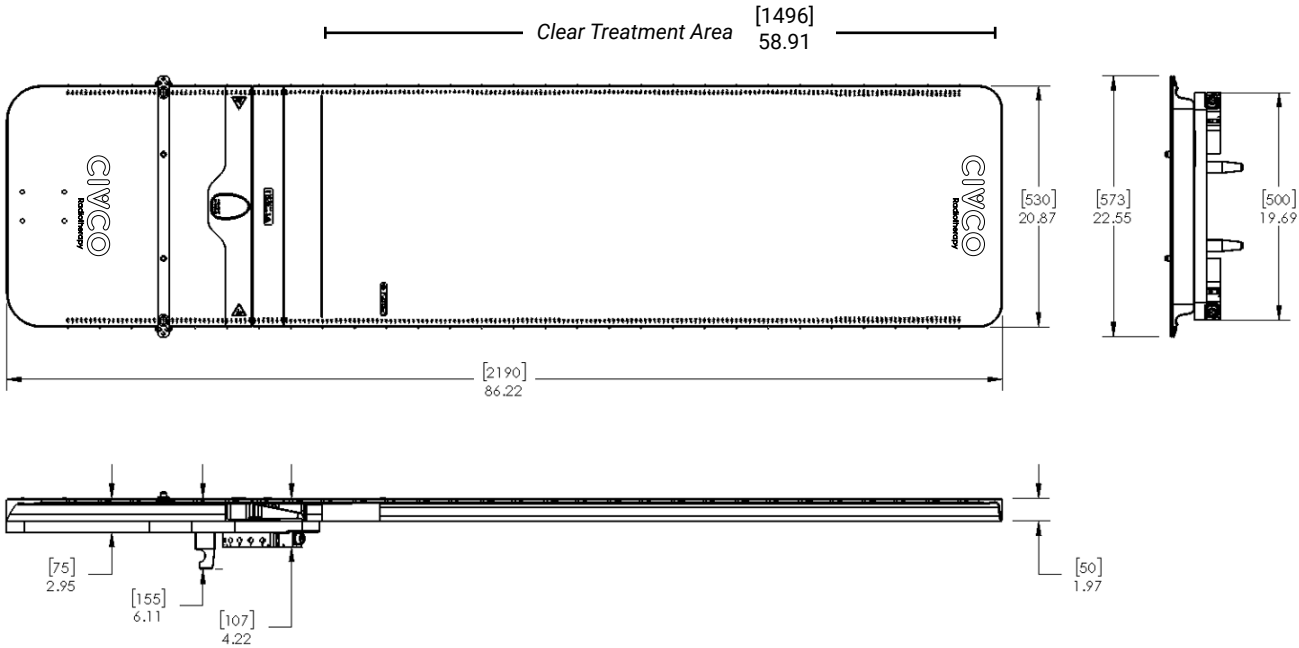
**Technical Drawing - MTIL6040 (Base + MTIL6660)**



# Technical Details

<b>Primary Materials</b>	Carbon Fiber Composite, Aluminum Acetal
<b>Weight (approx)</b>	39.0 kg / 86 lbs
<b>Dimensions (mm)</b>	2190 L x 530 W x 50 H (min.)

**Technical Drawing - MTIL6840 (Base + MTIL6673, UCT LE for IBA, F-Series)**



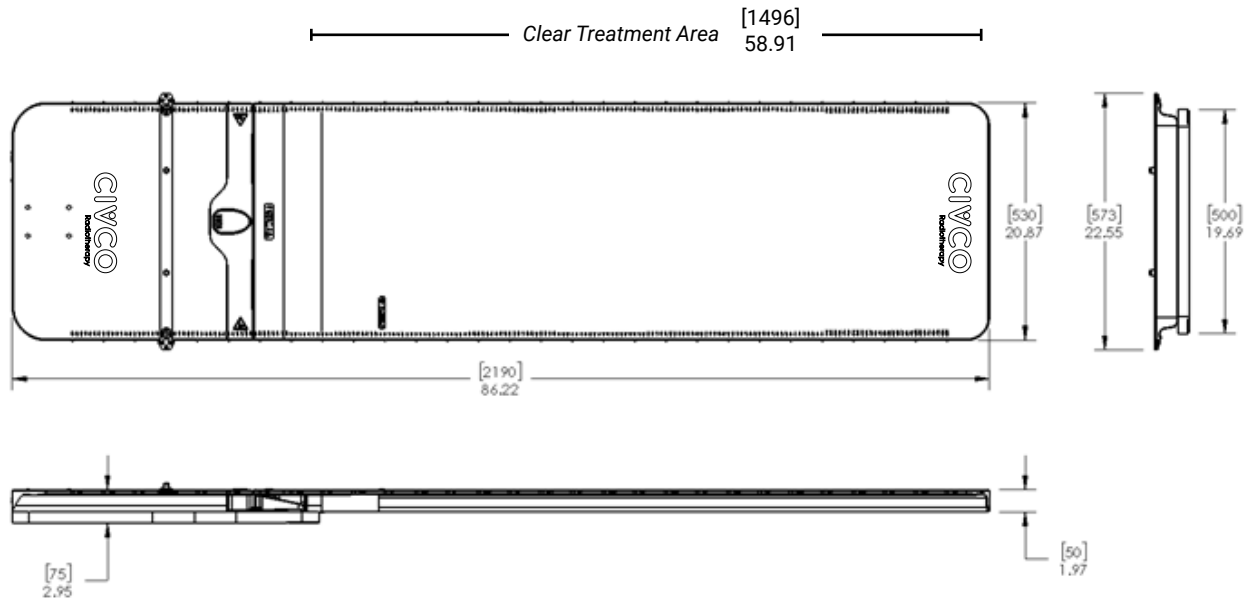
# Technical Details

**Primary Materials** Carbon Fiber Composite, Aluminum Acetal

**Weight (approx)** 34.7 kg / 76.5 lbs

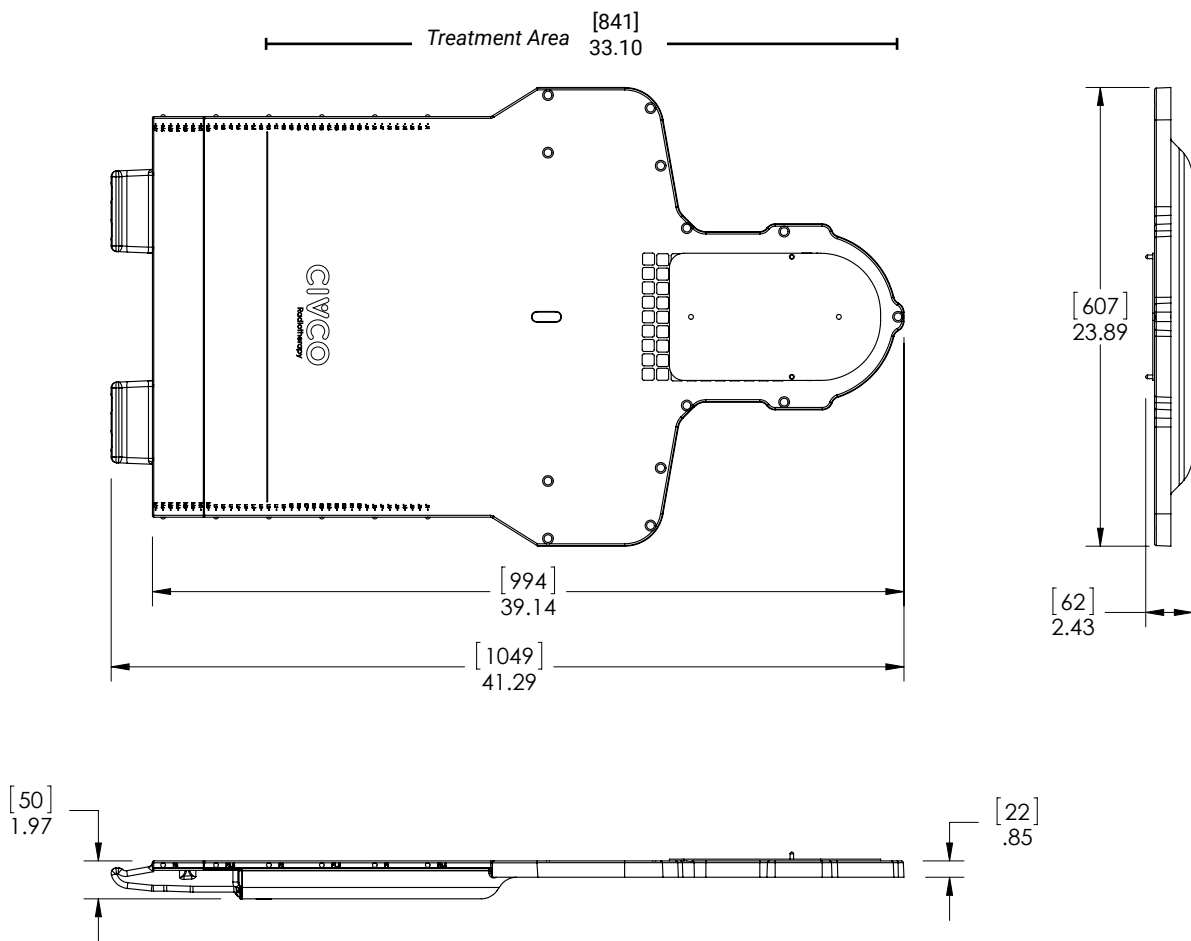
**Dimensions (mm)** 2190 L x 530 W x 50 H (min.)

**Technical Drawing - MTIL6841 (Base + MTIL6673, UCT LE for IBA, L-Series)**



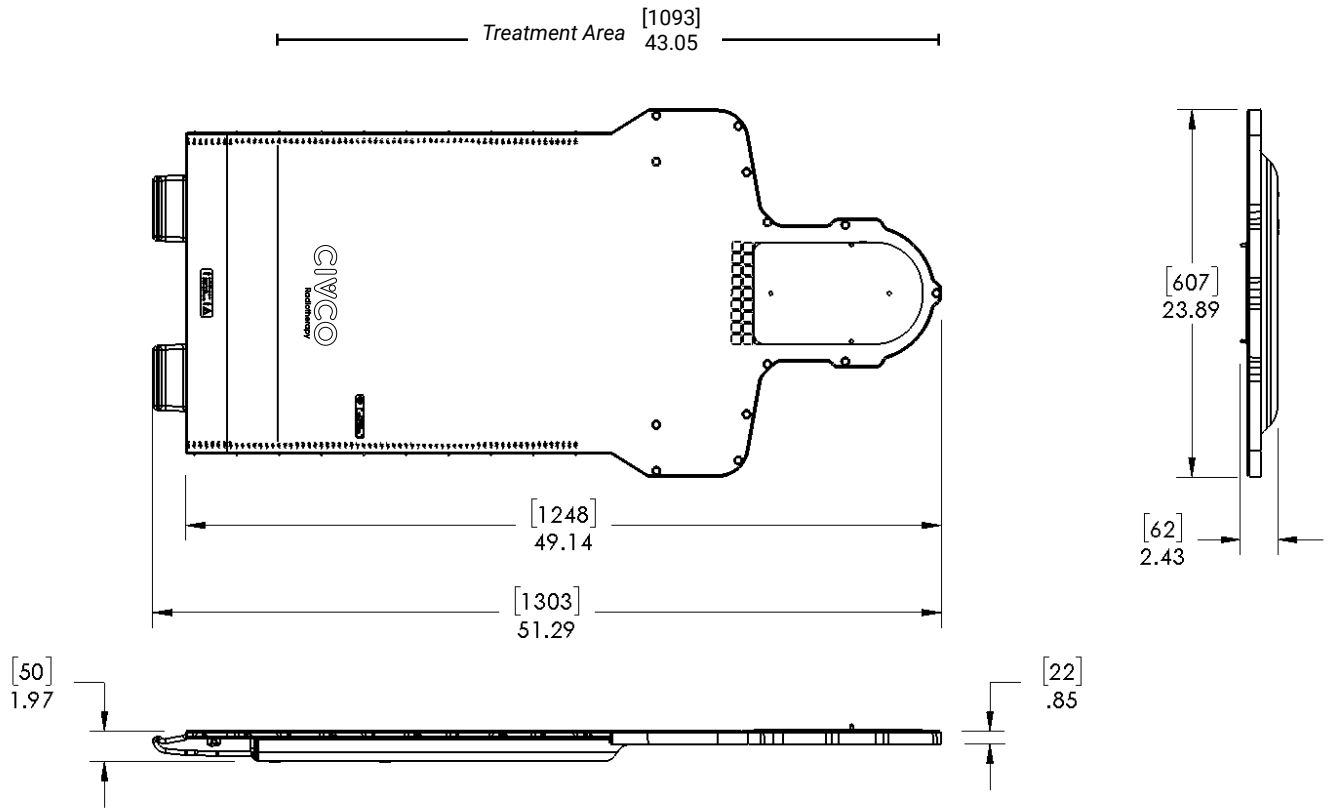
# Technical Details - Extensions

Product Name	Type-S™ Extension
Product Number	MTIL6665
Primary Materials	Carbon Fiber Composite, Aluminum
Weight (approx)	6.8 kg / 15 lbs
Dimensions (mm)	1049 L x 607 W x 50 H
Technical Drawing	



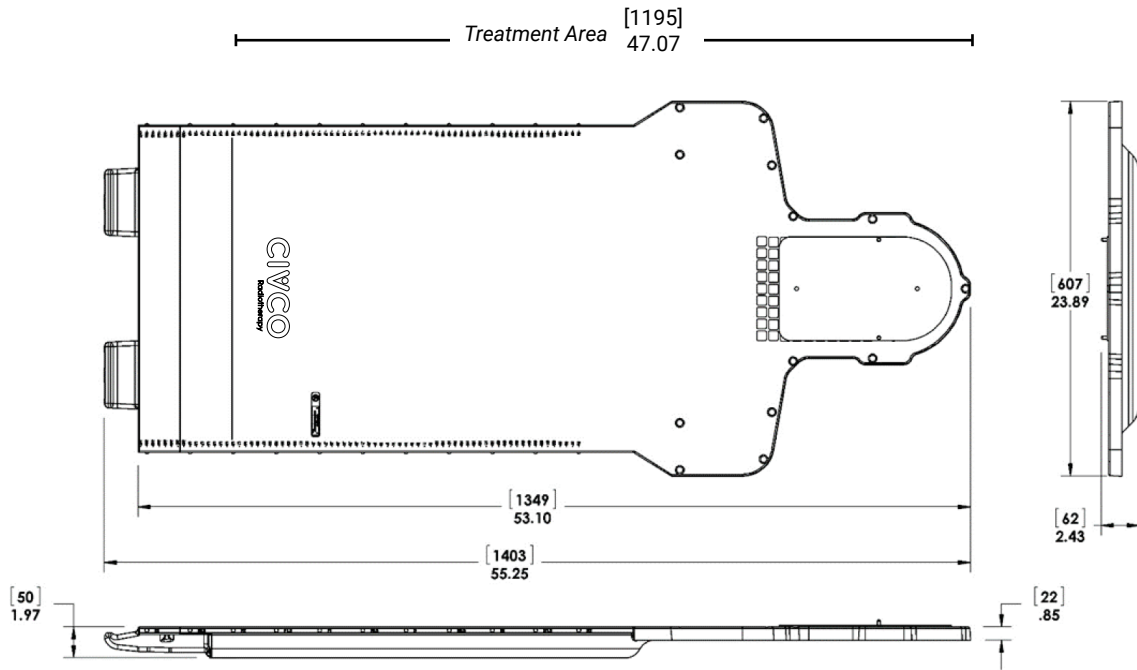
Product Name	Type-S™ Extension
Product Number	MTIL6670
Primary Materials	Carbon Fiber Composite, Aluminum
Weight (approx)	7.3 kg / 16 lbs
Dimensions (mm)	1303 L x 607 W x 50 H

Technical Drawing



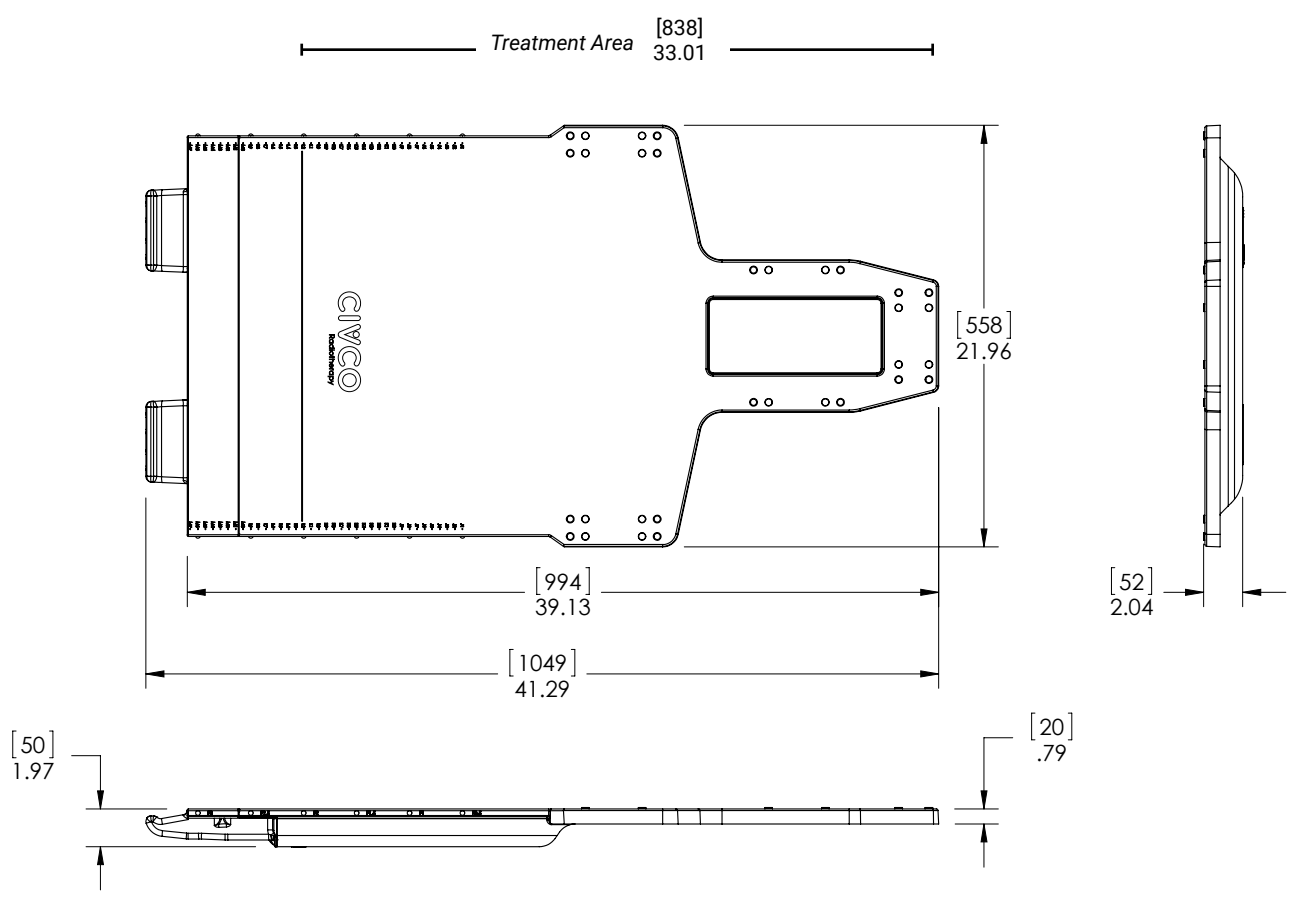
Product Name	Type-S™ Extension
Product Number	MTIL6664
Primary Materials	Carbon Fiber Composite, Aluminum
Weight (approx)	7.3 kg / 16 lbs
Dimensions (mm)	1403 L x 607 W x 50 H

Technical Drawing



<b>Product Name</b>	<b>Posifix® Extension</b>
<b>Product Number</b>	<b>MTIL6666</b>
<b>Primary Materials</b>	Carbon Fiber Composite, Aluminum
<b>Weight (approx)</b>	6.8 kg / 15 lbs
<b>Dimensions (mm)</b>	1049 L x 558 W x 50 H

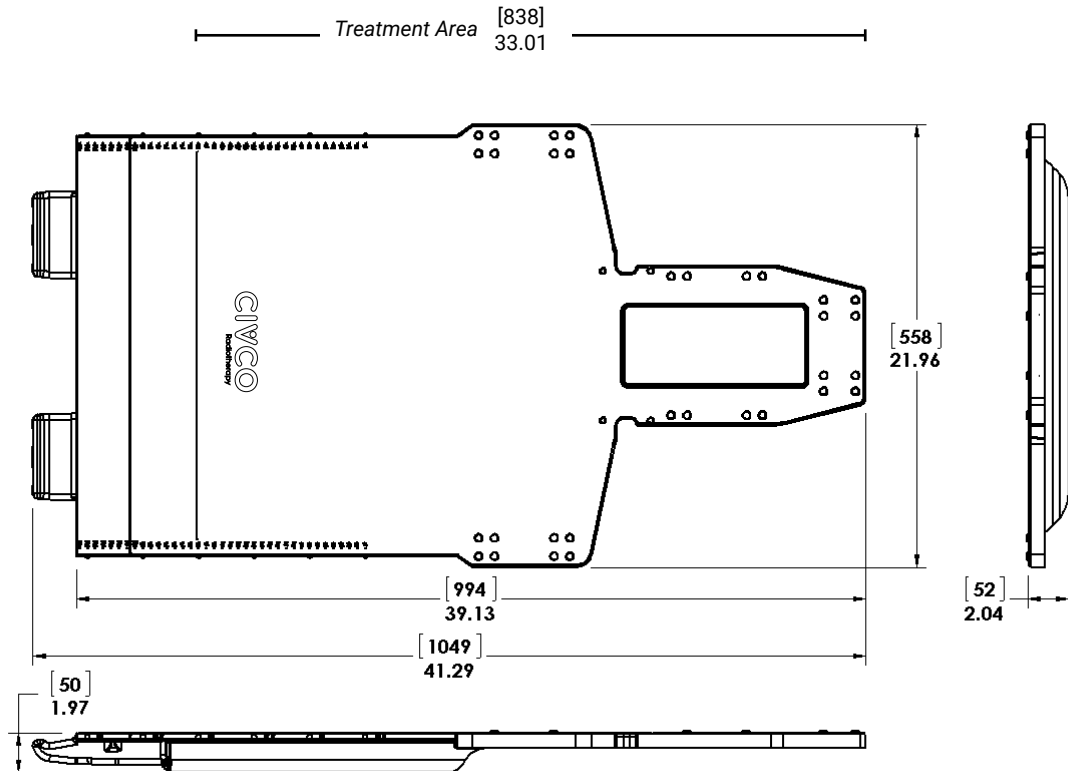
**Technical Drawing**





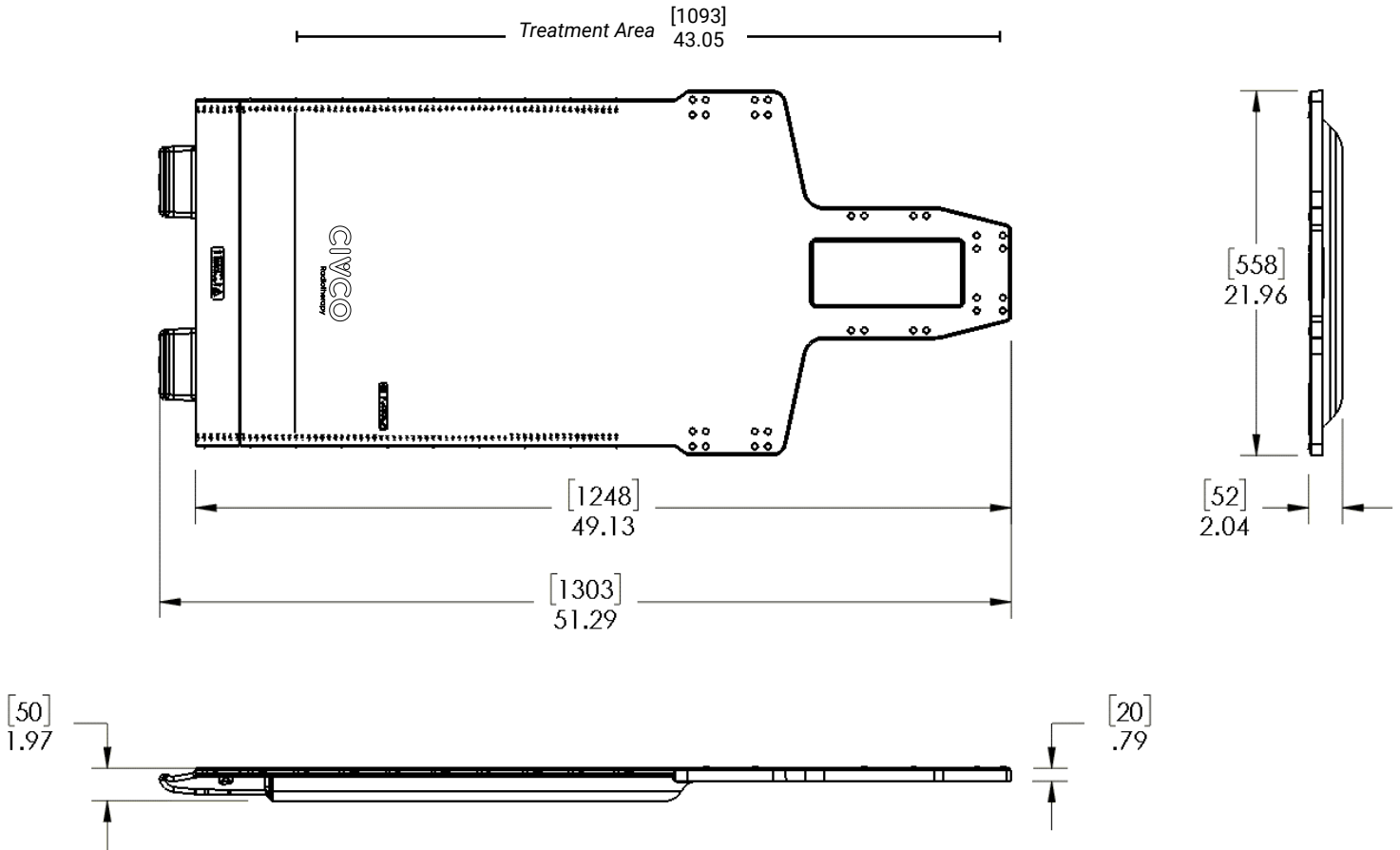
Product Name	Posifix® Extension with trUpoint ARCH™ Compatibility
Product Number	MTIL6671
Primary Materials	Carbon Fiber Composite, Aluminum
Weight (approx)	6.8 kg / 15 lbs
Dimensions (mm)	1303 L x 558 W x 50 H

Technical Drawing



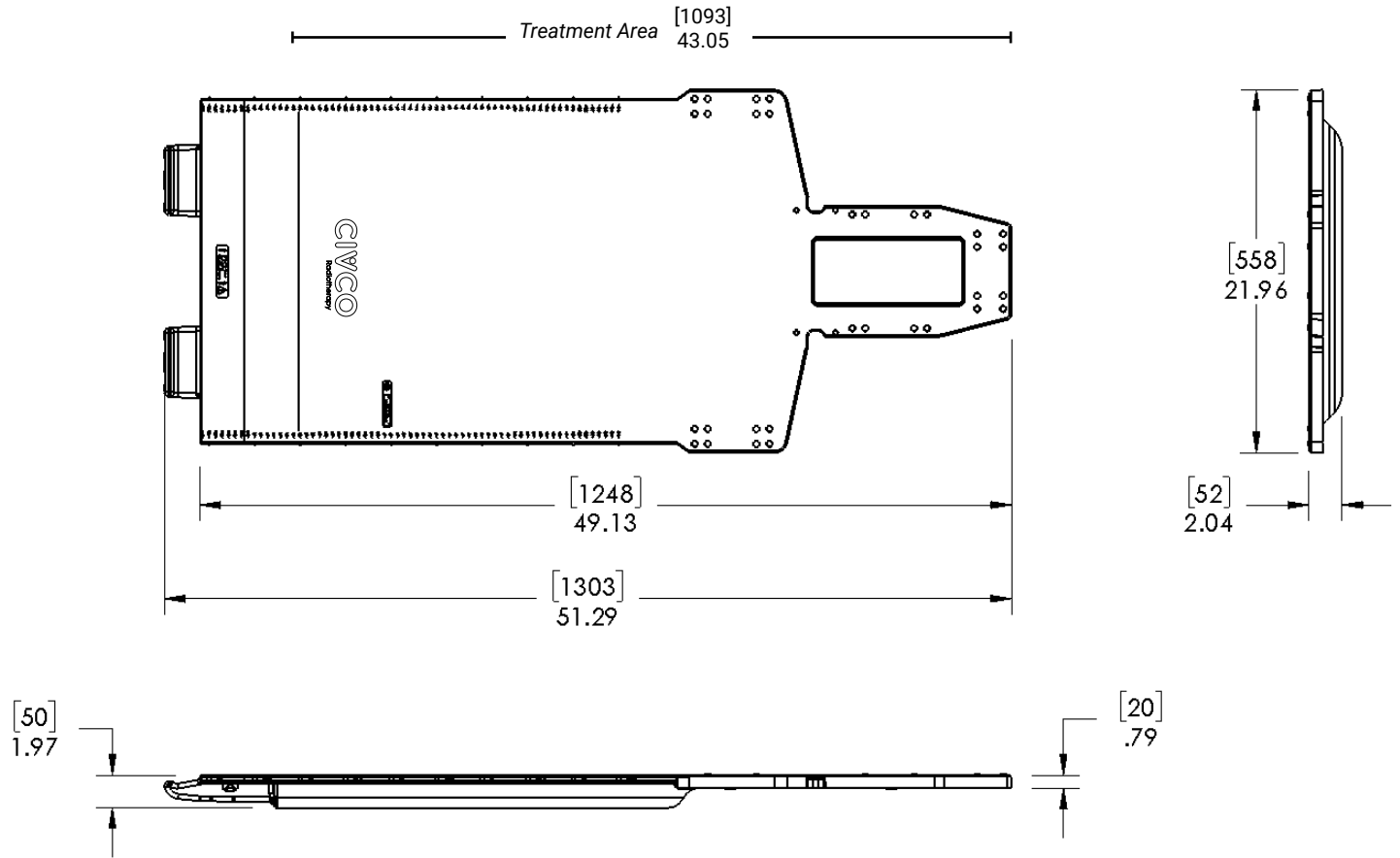
Product Name	Posifix® Extension
Product Number	MTIL6672
Primary Materials	Carbon Fiber Composite, Aluminum
Weight (approx)	6.8 kg / 15 lbs
Dimensions (mm)	1303 L x 558 W x 50 H

Technical Drawing



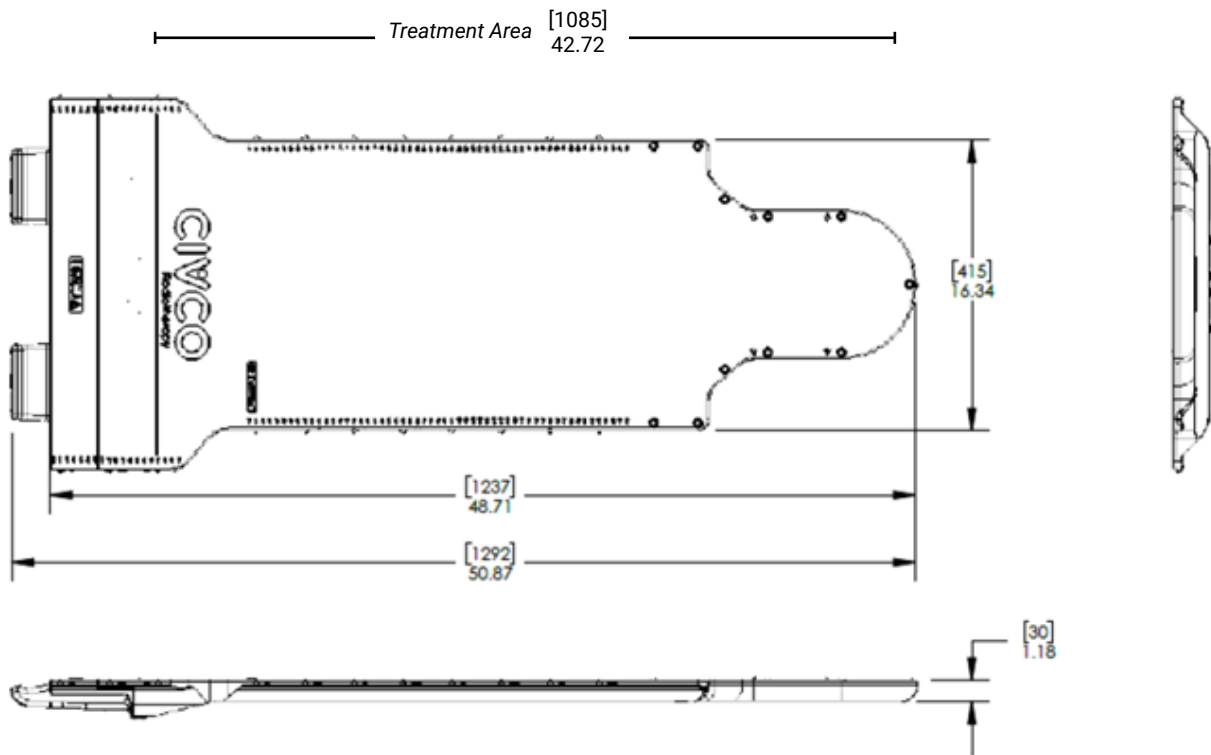
Product Name	Posifix® Extension with trUpoint ARCH™ Compatibility
Product Number	MTIL6671
Primary Materials	Carbon Fiber Composite, Aluminum
Weight (approx)	6.8 kg / 15 lbs
Dimensions (mm)	1303 L x 530 W x 50 H

Technical Drawing



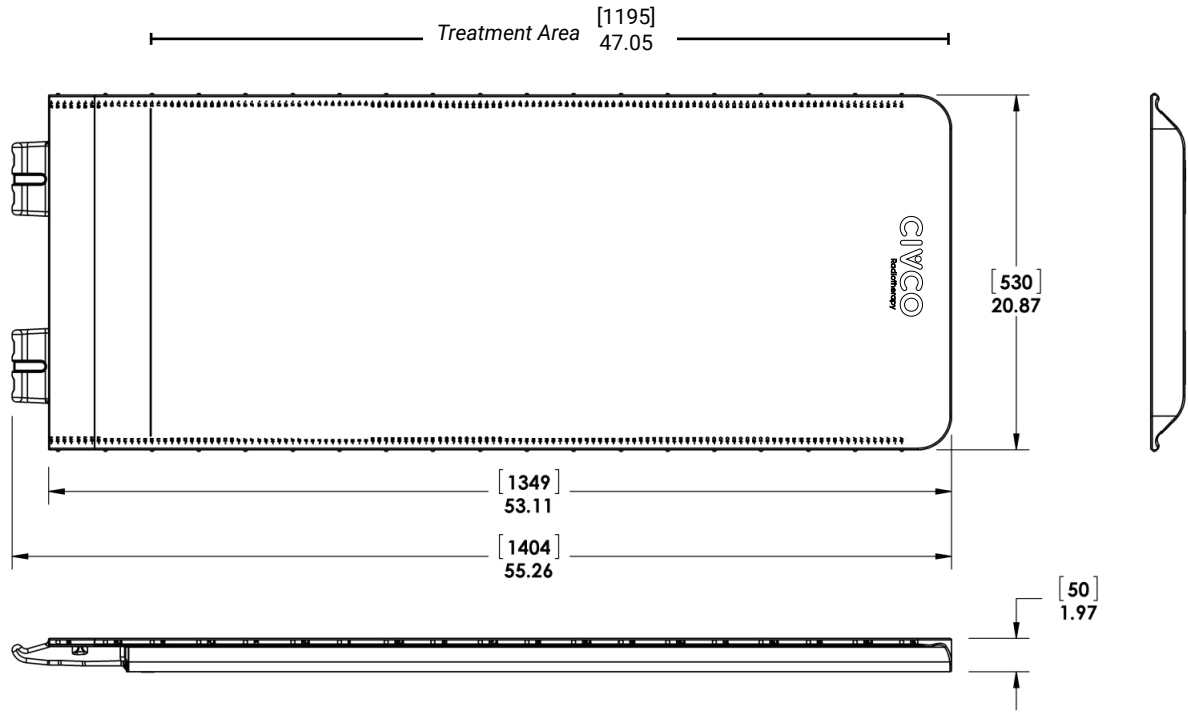
<b>Product Name</b>	<b>Pediatric ProForm™ Head &amp; Neck Extension, Universal Couchtop (includes cushion guide and patient handles)</b>
<b>Product Number</b>	<b>MTIL6682K</b>
<b>Primary Materials</b>	Carbon Fiber Composite, Aluminum
<b>Weight (approx)</b>	5.9 kg / 13 lbs
<b>Working Load</b>	84 kg / 185 lbs
<b>Dimensions (mm)</b>	1292 L x 415 W x 30 H (min.) 1292 L x 530 W x 30 H (max.)

**Technical Drawing**



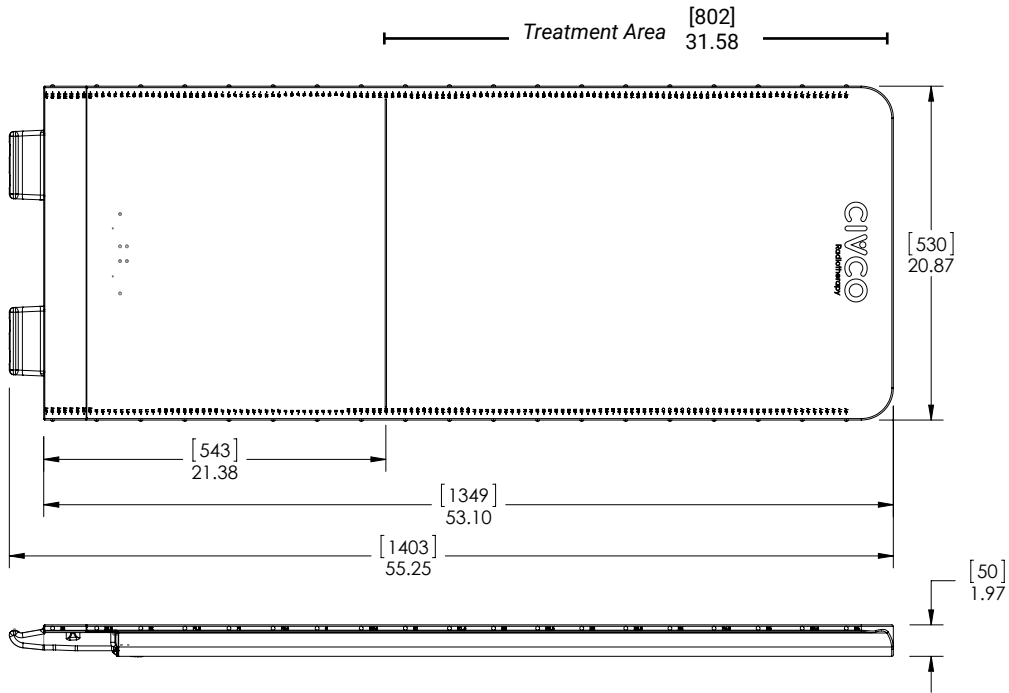
<b>Product Name</b>	<b>Rectangular Extension / Rectangular Extension with Embedded Wires</b>
<b>Product Number</b>	<b>MTIL6660 / MTIL6661</b>
<b>Primary Materials</b>	Carbon Fiber Composite, Aluminum
<b>Weight (approx)</b>	7.71 kg / 17 lbs
<b>Dimensions (mm)</b>	1404 L x 530 W x 50 H

**Technical Drawing**



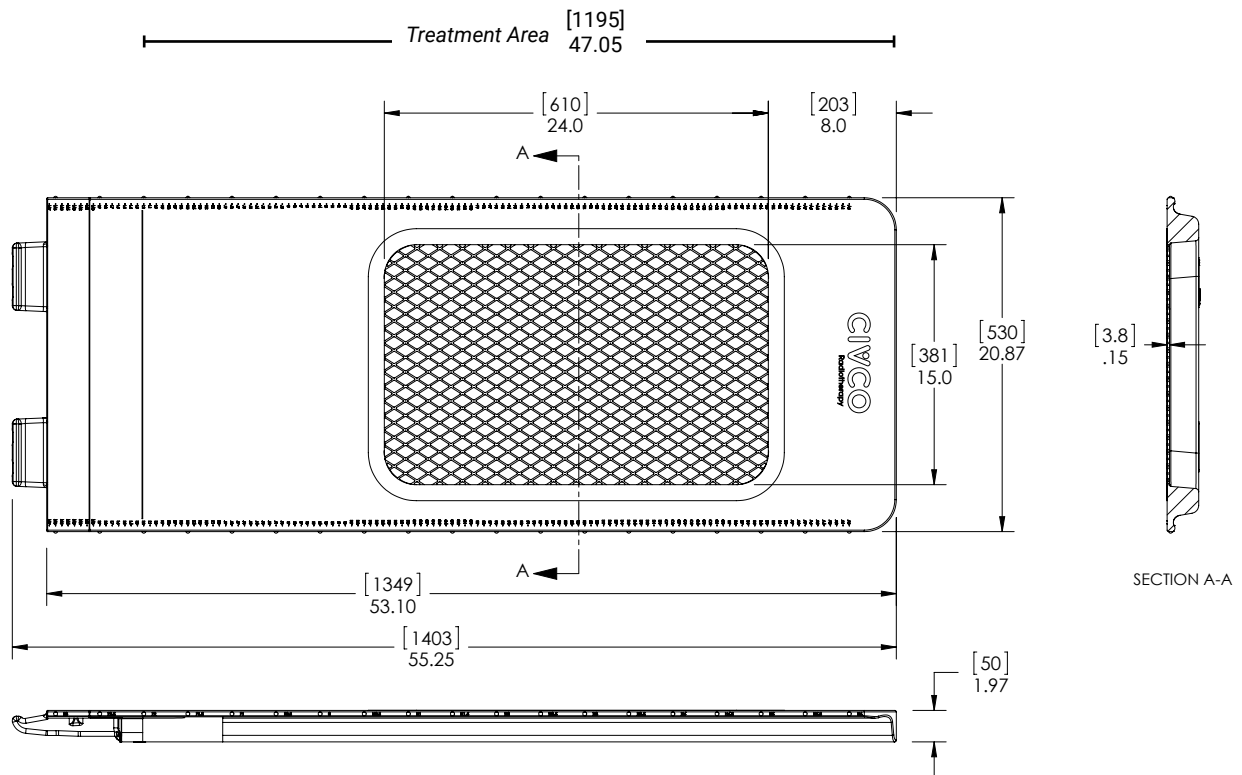
<b>Product Name</b>	<b>Kevlar Extension - Compatible with Varian's Calypso® System</b>
<b>Product Number</b>	<b>MTIL6662</b>
<b>Primary Materials</b>	Kevlar, Aluminum
<b>Weight (approx)</b>	11.8 kg / 26 lbs
<b>Dimensions (mm)</b>	1403 L x 530 W x 50 H

**Technical Drawing**



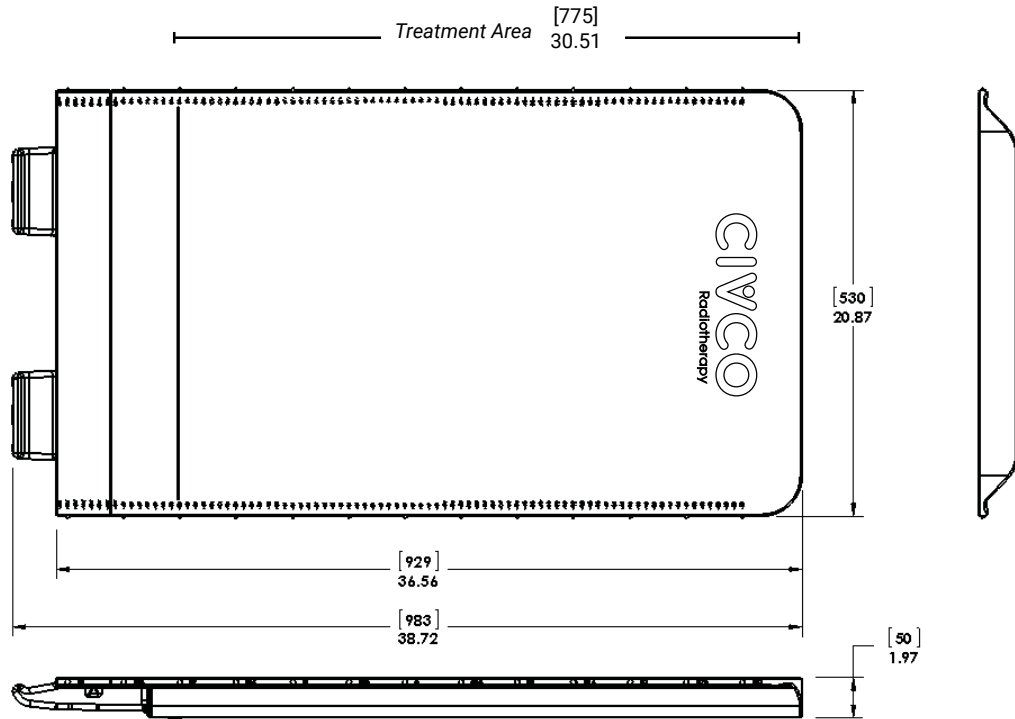
<b>Product Name</b>	<b>Grid Extension</b>
<b>Product Number</b>	<b>MTIL6663</b>
<b>Primary Materials</b>	Carbon Fiber Composite, Aluminum
<b>Weight (approx)</b>	7.2 kg / 16 lbs
<b>Dimensions (mm)</b>	1403 L x 530 W x 50 H

**Technical Drawing**



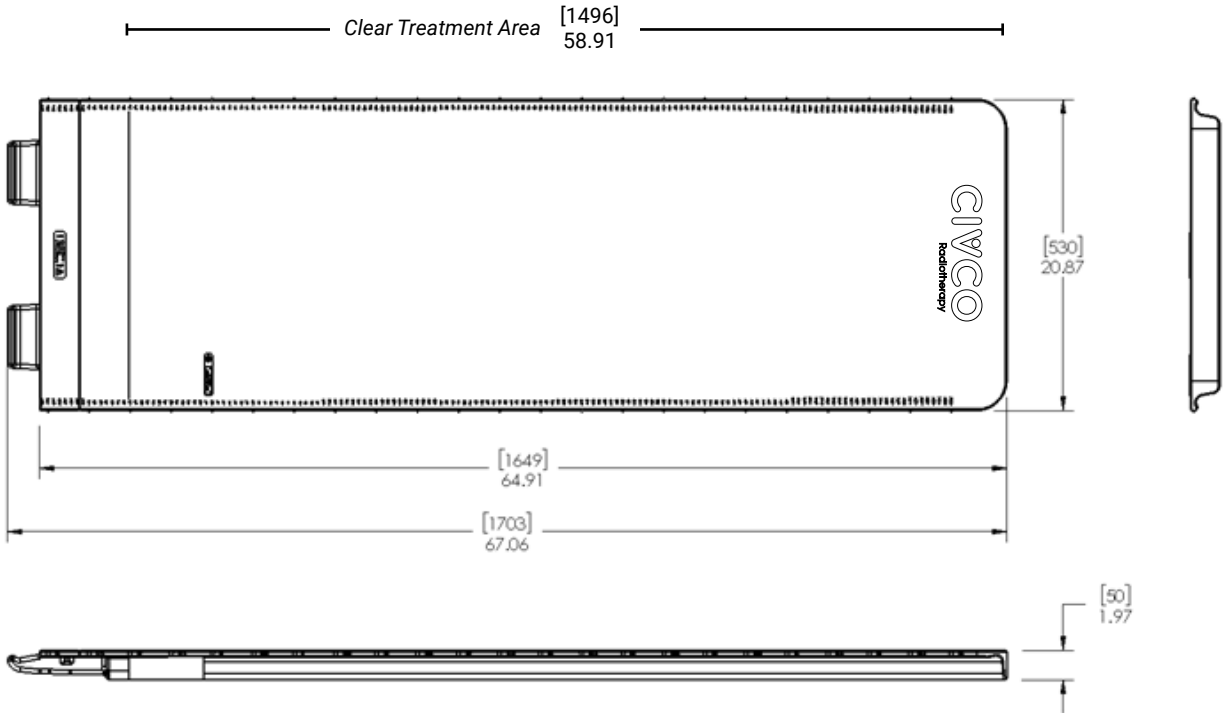
Product Name	Rectangular Extension
Product Number	MTIL6669
Primary Materials	Carbon Fiber Composite, Aluminum
Weight (approx)	6.8 kg / 15 lbs
Dimensions (mm)	983 L x 530 W x 50 H

Technical Drawing



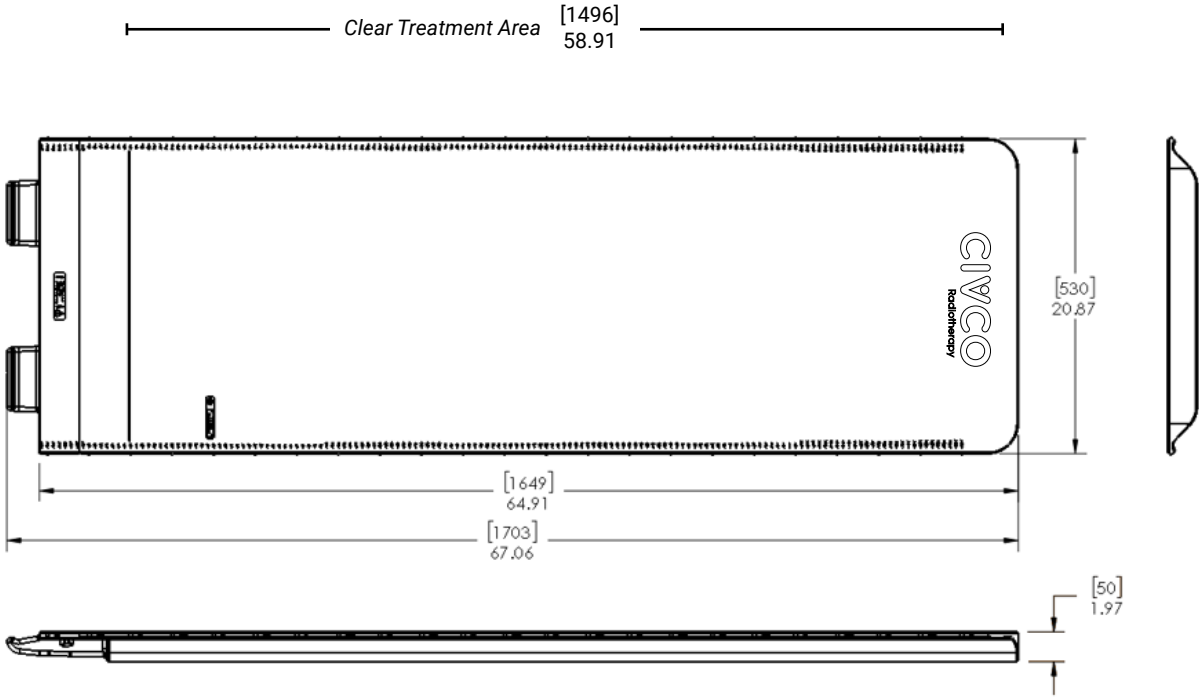


<b>Product Name</b>	<b>Rectangular Extension</b>
<b>Product Number</b>	<b>MTIL6673</b>
<b>Primary Materials</b>	Carbon Fiber Composite, Aluminum
<b>Weight (approx)</b>	10.7 kg / 23.5 lbs
<b>Dimensions (mm)</b>	1649 L x 530 W x 50 H
<b>Technical Drawing</b>	



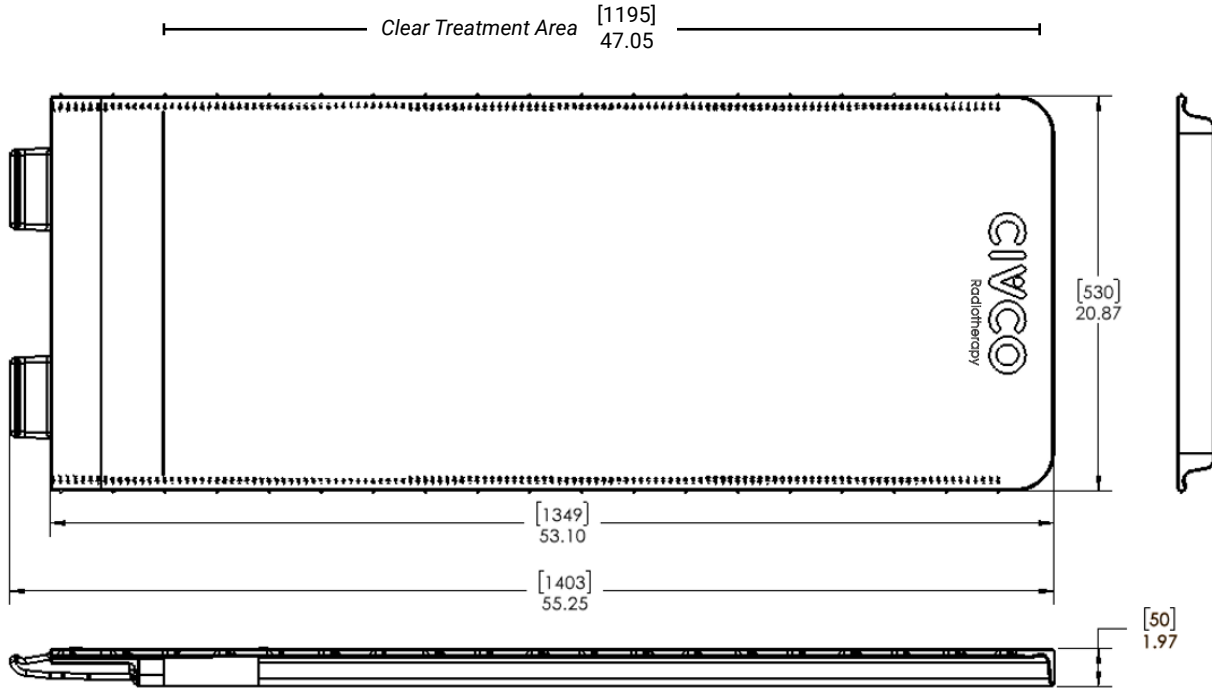
<b>Product Name</b>	<b>Rectangular Extension</b>
<b>Product Number</b>	<b>MTIL6676</b>
<b>Primary Materials</b>	Carbon Fiber Composite, Aluminum
<b>Weight (approx)</b>	10.7 kg / 23.5 lbs
<b>Dimensions (mm)</b>	1649 L x 530 W x 50 H

**Technical Drawing**



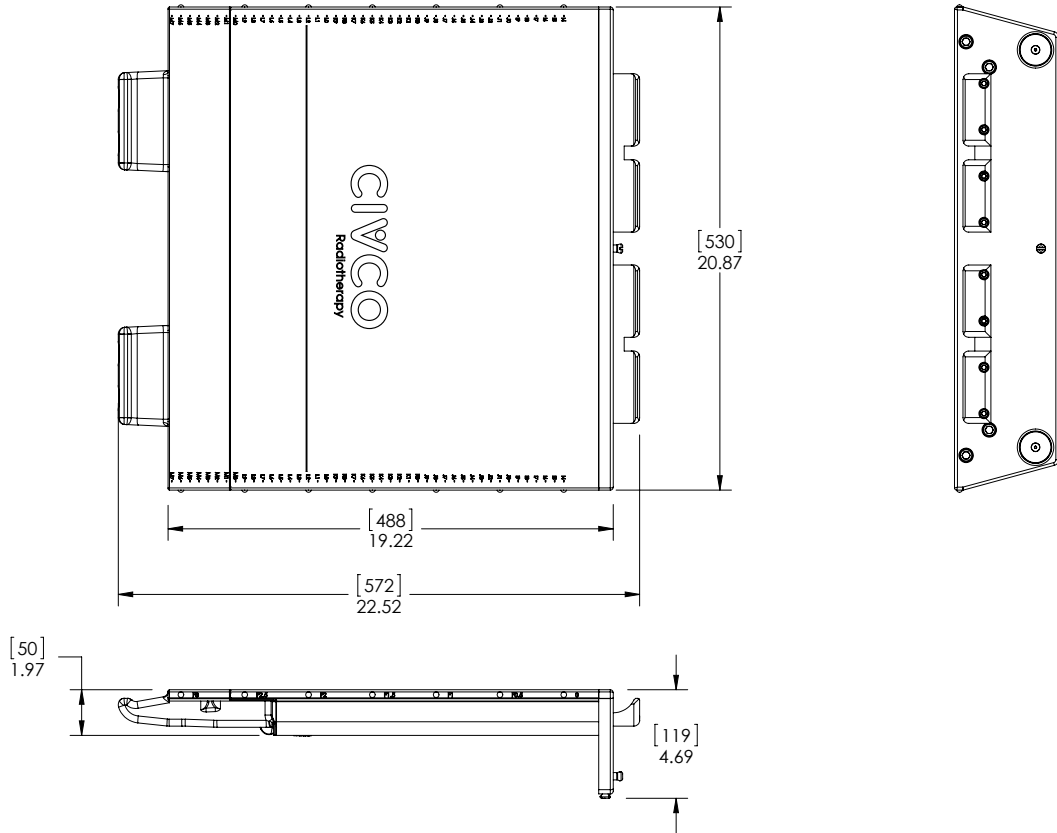
<b>Product Name</b>	<b>Rectangular Extension</b>
<b>Product Number</b>	<b>MTIL6684</b>
<b>Primary Materials</b>	Carbon Fiber Composite, Aluminum
<b>Weight (approx)</b>	7.71 kg / 17 lbs
<b>Dimensions (mm)</b>	1403 L x 530 W x 50 H

**Technical Drawing**



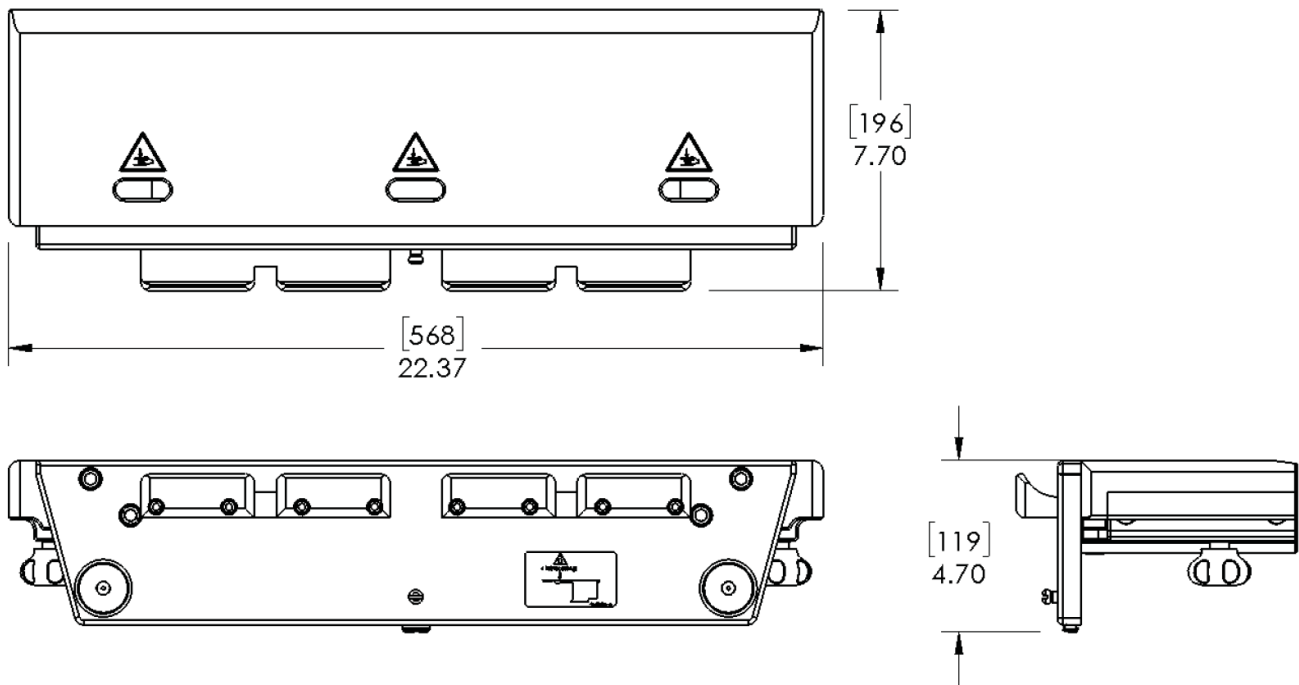
<b>Product Name</b>	<b>Interface Extension for Varian</b>
<b>Product Number</b>	<b>MTIL6667</b>
<b>Primary Materials</b>	Carbon Fiber Composite, Aluminum
<b>Weight (approx)</b>	6.8 kg / 15 lbs
<b>Dimensions (mm)</b>	572 L x 530 W x 119 H

**Technical Drawing**



<b>Product Name</b>	<b>Interface Sleeve for Varian</b>
<b>Product Number</b>	<b>MTIL6612</b>
<b>Primary Materials</b>	Aluminum
<b>Weight (approx)</b>	8.5 kg / 18.75 lbs
<b>Dimensions (mm)</b>	196 L x 568 W x 119 H

**Technical Drawing**



# Technical Details – Dosimetric Properties

Extension & Part Number(s)	Location	Aluminum Equivalency (100kV)	Photon Water Equivalency (6MV)	Extension Thickness	Attenuation (6MV) Transmission (10 x 10)	Proton Water Equivalency (R80)
Type-S™ Extension MTIL6665 MTIL6664 MTIL6670	 Grid Area	0.20 mm	2.3 mm	0.3 cm	0.9	1.5 mm
	Center of Thin Area	0.71 mm	7.0 mm	2.2 cm	2.1	5.8 mm
	Center of Thick Area	0.87 mm	8.2 mm	5.0 cm	2.8	7.3 mm
Posifix® Extension MTIL6666 MTIL6672	 Head Support Area	0.56 mm	5.8 mm	0.7 cm	1.7	4.9 mm
	Center of Thin Area	0.64 mm	6.7 mm	2.0 cm	2.2	5.8 mm
	Center of Thick Area	0.88 mm	8.0 mm	5.0 cm	2.7	7.4 mm
Posifix Extension for trUpoint ARCH™ MTIL6668 MTIL6671	 Head Support Area	0.77 mm	5.9 mm	0.7 cm	1.7	4.9 mm
	Center of Thin Area	0.92 mm	6.6 mm	2.0 cm	2.1	5.8 mm
	Center of Thick Area	1.00 mm	8.1 mm	5.0 cm	2.7	7.4 mm
Pediatric ProForm™ MTIL6682	 Head Support Area Center of Extension	0.47 mm	6.2 mm	3 cm	2.3	6.2 mm*
Rectangular Extension MTIL6660 MTIL6669 MTIL6684	 Center of Extension	0.86 mm	8.1 mm	5.0 cm	2.7	7.4 mm
Rectangular Extension MTIL6673 MTIL6676	 Center of Extension	1.62 mm	N/A	5.0 cm	3.4	8.2 mm
Rectangular Extension w/ Wires MTIL6661	 Center of Extension	1.06 mm	8.0 mm	5.0 cm	2.8	7.5 mm
Rectangular Extension Kevlar MTIL6662	 Center of Extension	1.00 mm	8.1 mm	5.0 cm	2.8	N/A
Rectangular Extension Grid MTIL6663	 Grid Area	0.32 mm	2.2 mm	0.4 cm	0.2	N/A
	Center of Extension Inferior of Grid	1.28 mm	9.7 mm	5.0 cm	3.4	N/A
Interface Extension for Varian MTIL6667	 Center of Extension	.95 mm	8.1 mm	5.0 cm	2.8	7.5 mm

Performance Specifications are for reference only, values may vary based on setup and equipment.

\*Variation in WET value is limited to less than 0.3 mm across the treatment area.

## Global Sales Office

Orange City, Iowa, USA  
800.842.8688 | +1 712.737.8688

info@CivcoRT.com  
www.CivcoRT.com

