

Solstice™ SRS Immobilization System

CIVCO Technical Data Sheet



Product Name	Solstice SRS Immobilization System			
Product Number	CHS03	Solstice, Posifix		
	CHS04	Solstice, Type-S		
Kits that Include this Product	CHS03SGK	CHS04SGK	CHS03K	CHS04K
General Description	<p>The Solstice system provides unique corrective pitch capability and positioning flexibility. The system is comprised of a carbon fiber head support, customizable cushion and dedicated thermoplastic that create a highly customizable and comfortable head and neck immobilization system for precise treatment to improve patient outcomes.</p>			
Indications for use	<p>Solstice SRS with AccuForm™ The device is indicated to position and/or immobilize adult and pediatric patients undergoing radiation therapy of the head, brain, and neck, including Stereotactic Radiosurgery (SRS), Stereotactic Radiotherapy (SRT), Surface Guided Radiation Therapy (SGRT) and electron, photon, and proton treatments. The device is also used during image acquisition, including Computed Tomography (CT), to support treatment planning.</p> <p>Solstice SRS with Headrest The device is indicated to position and/or immobilize adult and pediatric patients undergoing radiation therapy of the head, brain, and neck, including Surface Guided Radiation Therapy (SGRT) and electron, photon, and proton treatments. The device is also used during image acquisition, including Computed Tomography (CT), to support treatment planning.</p>			
MRI Compatible	No			
Integration	For use with Posifix or Type-S extensions, baseplates and overlays			
FDA Clearance	Yes			
CE Marked (EU DOC)	Yes			
Other Country Registrations	Available upon request			
Country of Manufacture	USA			

Technical Details

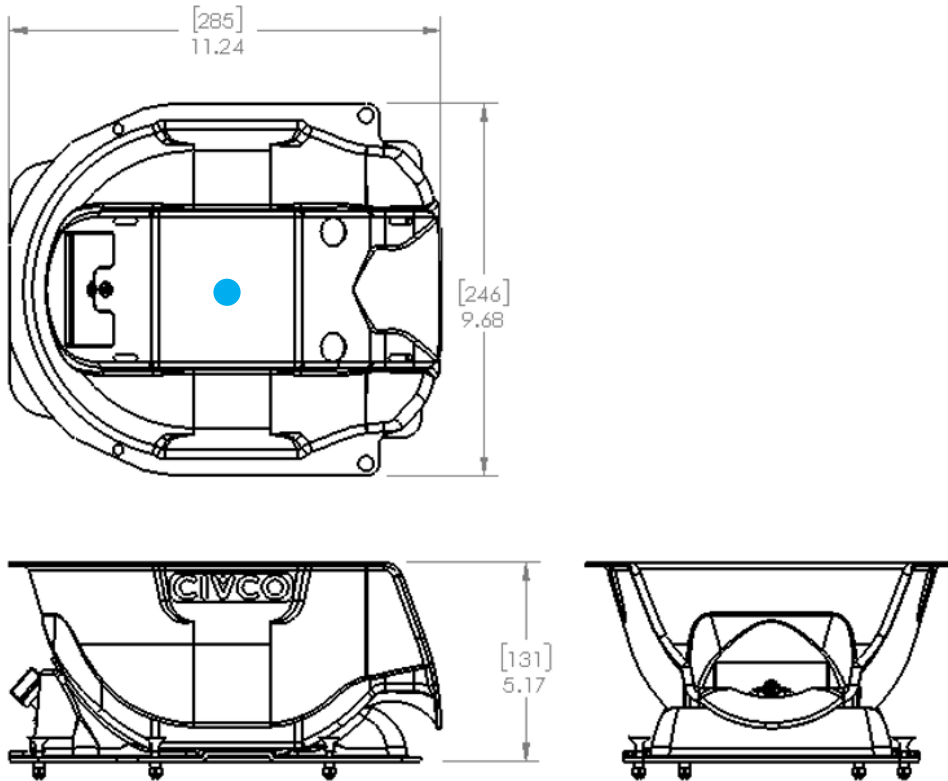
Primary Materials	Bowl: Carbon Fiber Base: Kydex-T
Weight (approx)	1.5 lbs (0.68 kg)
Dimensions (mm)	Posifix®: 285 L x 246 W x 131 H (max) Type-S™: 320 L x 263 W x 131 H (max)

Dosimetric Properties

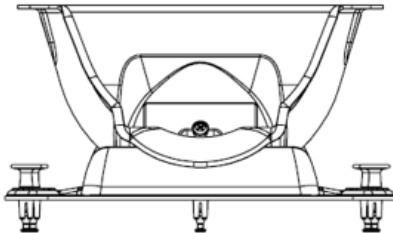
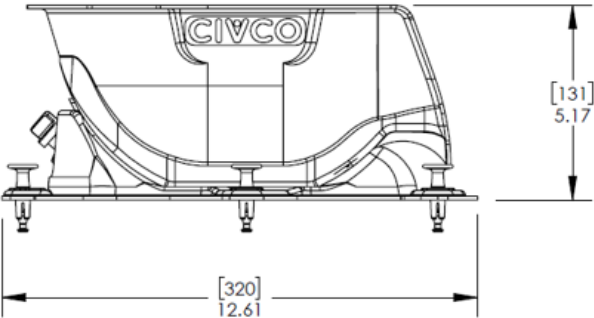
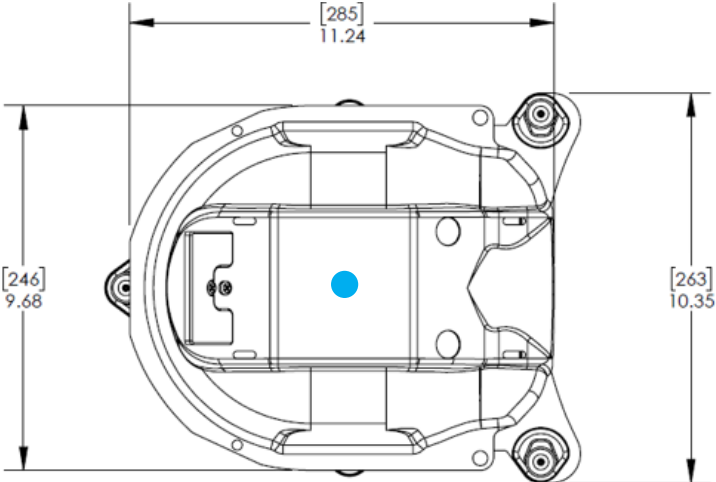
Location	Field Size	Attenuation 6 (MV)	Attenuation 18 (MV)
Bottom of bowl base ●	8 cm x 8 cm	1.64%	1.08%

Performance Specifications are for reference only, values may vary based on setup and equipment.

Technical Drawing (CHS03)

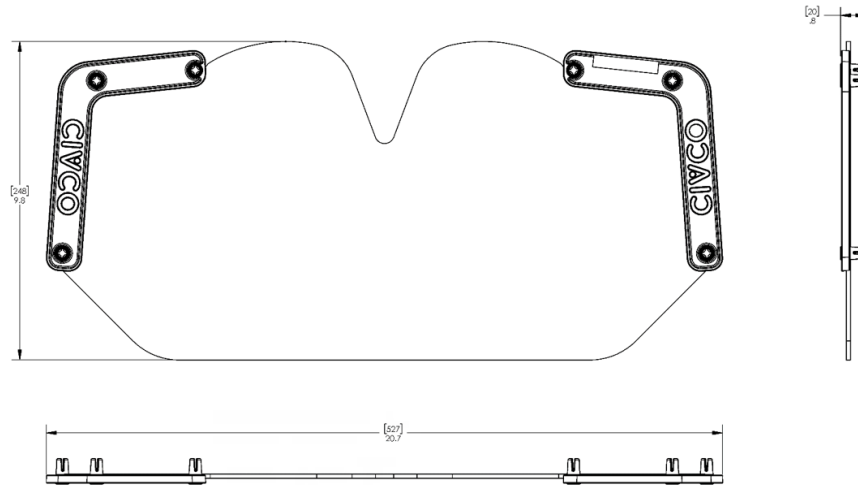


Technical Drawing (CHS04)



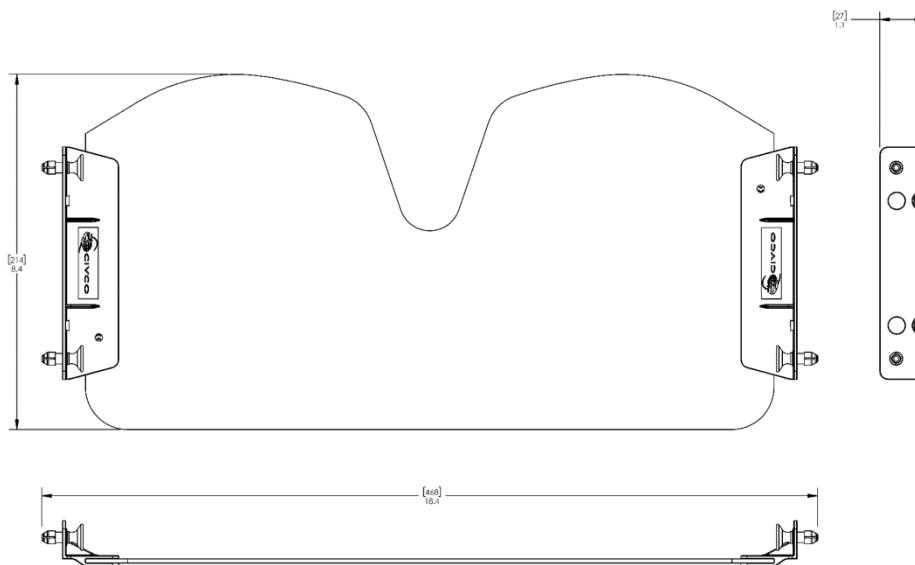
Product Name	Shoulder Thermoplastic, Standard White Solid, Type-S™
Product Number	MTAPSSTS
Primary Materials	Polycaprolactone, Polycarbonate, Delrin
Weight (approx)	0.46 kg/ 1.02 lbs
Dimensions (mm)	248 L x 527 W x 20 H

Technical Drawing



Product Name	Shoulder Thermoplastic, Standard White Solid, Posifix®
Product Number	MTAPSSPF
Primary Materials	ABS - Black, Polycaprolactone, Polycarbonate, Nylon
Weight (approx)	0.29 kg/ 0.65 lbs
Dimensions (mm)	214 L x 468 W x 27 H

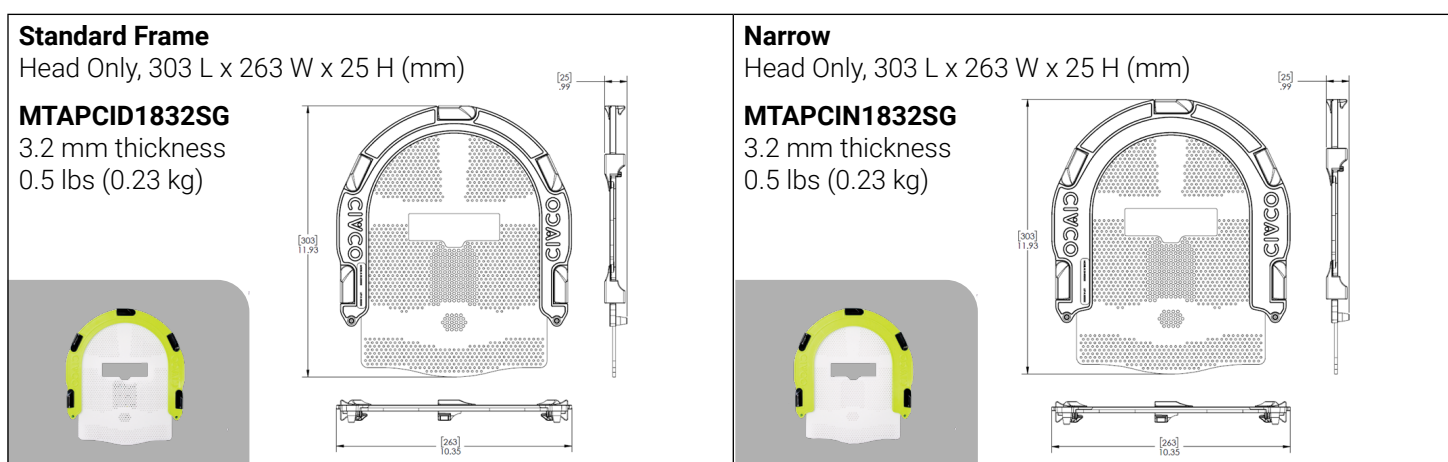
Technical Drawing



Standard White IMRT Reinforced™ Style 18



Standard White ClearVision™



Technical Details 3.2 IMRT Reinforced, ClearVision and Shoulder Thermoplastic

Primary Materials	Polycaprolactone, Polycarbonate	
Attenuation (Unstretched Mask)**	6MV: 1.03% (solid region)	18MV: 0.21% (solid region)
Thickness	3.2 mm (.125)	
Perforation (surface)	Varies (IMRT Pattern)	
Density	1.145 g/cm ³	
Surface feeling	Smooth	
Color	White	
Odor	None	
Biocompatible	Yes	
Transparent when activated	Yes	
	Waterbath	Dry Heat Oven
Activation temperature	75° C / 165° F	75° C / 165° F
Activation time, Head-Only	5 min	8–11 min
Activation time, Shoulder	7–9 min	8–11 min
Molding time (maximum)*a	1 min 30 sec	N/A
Hardening time*b	8 min 30 sec	N/A
Time to completion (minimum)*c	10 min	10 min

Test Procedures used to Acquire Data

Definitions*

- Molding Time** - the time frame available from when the mask is removed from the waterbath to the time that the mask can no longer be molded or formed.
- Hardening Time** - the time between the molding and completion time where the mask should be cooling and hardening on its own without being manipulated or molded.
- Time to Completion** - the total time from when the mask is taken out of the waterbath or dry heat oven to when the mask can be removed from the patient.

Photon Attenuation Test Conditions**

- 100 cm SAD
- 10 x 10 cm Field Size
- 6 MV Dmax = 1.5 cm
18 MV Dmax = 3.0 cm

Packaging

Unit Pack	Each
Units / Box	One
Shelf Life	n/a
Warranty	See CIVCO website for Product Warranty Statement
Sterilization	Non-Sterile
Launch Date	September 2018

Accessories

System Customization

Thermoplastic

MTAPCID1832 Solstice™ Thermoplastic IMRT Reinforced Style 18

MTAPCIN1832 Solstice Thermoplastic IMRT Reinforced Style 18, Narrow

MTAPCID1832SG Solstice Thermoplastic ClearVision™

MTAPCIN1832SG Solstice Thermoplastic ClearVision, Narrow

AccuForm™ Cushions

MTACL2035 20 x 35 cm Chamfered

MTACL2035HF 20 x 35 cm Chamfered Half Fill

Headrests

CHS40K Headrest Kit (includes B,C & F), Qty 3

CHS40 Headrest B, Qty 1

CHS41 Headrest C, Qty 1

CHS42 Headrest F, Qty 1

Precise Bite™

MTCBPBITE Standard, Qty 5

MTCBPBITES Small, Qty 5

MTCBPBITETD Standard with Tongue Depressor, Qty 5

MTCBPBITETDS Small with Tonue Depressor, Qty 5

Global Sales Office

Orange City, Iowa, USA

800.842.8688 | +1 712.737.8688

info@CivcoRT.com

www.CivcoRT.com

