

# Pediatric ProForm™

## Head & Neck Solution

### CIVCO RT Technical Data Sheet

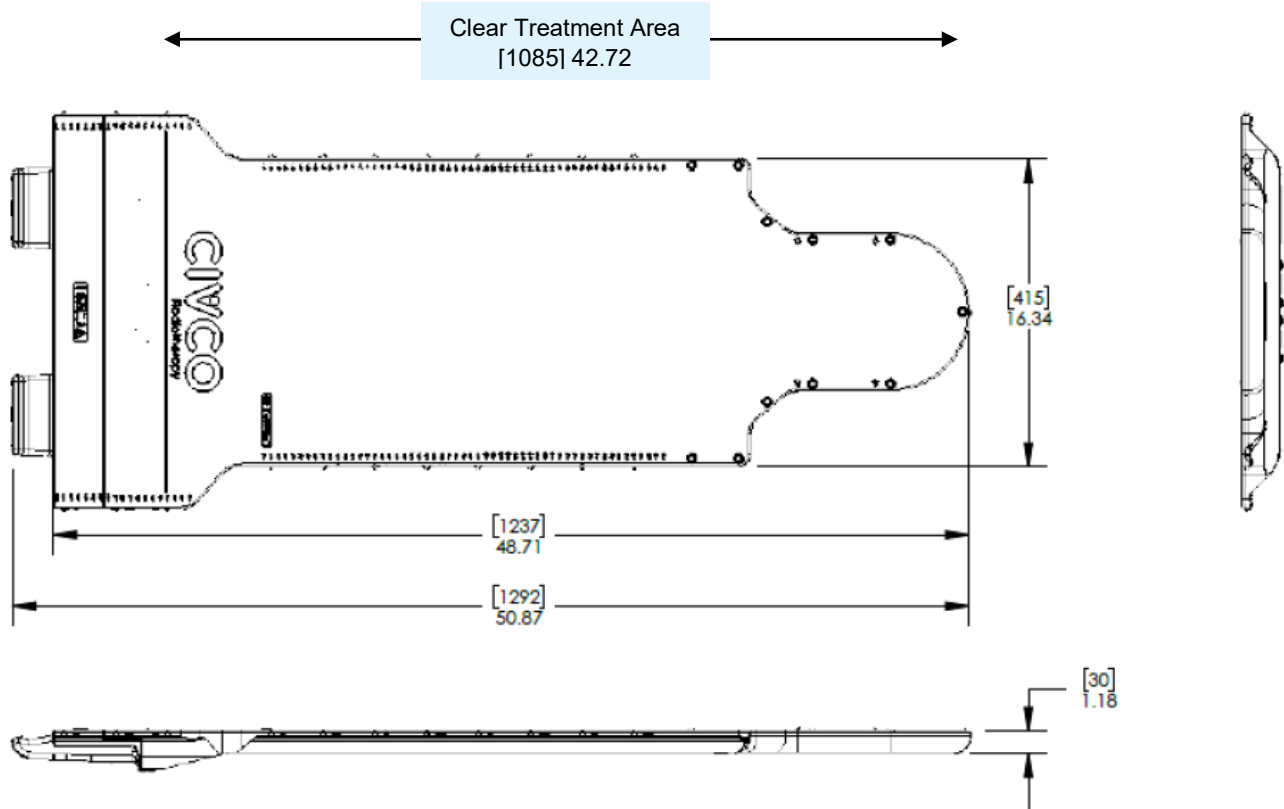


Product Name	Pediatric ProForm Head & Neck Solution
General Description	The Universal Couchtop™ ProForm™ Head & Neck Solution features geometry that allows for direct access to effectively treat CNS patients. ProForm accepts a dedicated thermoplastic mask designed to meet the unique requirements of proton therapy. ProForm Pediatric solutions can also be used for conventional photon radiotherapy.
Extension	<b>MTIL6682K</b> (includes patient handles and cushion guide)
Overlays	<b>PRO400K</b> CT and Photon Treatment Overlay (includes cushion guide and patient handles) <b>PRO420K</b> MR Overlay (includes cushion guide and patient handles)
Patient Handles	<b>MTIL662501</b> Right Patient Handle <b>MTIL662502</b> Left Patient Handle
Thermoplastic	<b>PRO430</b> Standard White, Head Only <b>PRO430IM1832</b> IMRT Reinforced Style 18, Head Only <b>PRO431IM1832</b> IMRT Reinforced Style 18, Head, Neck & Shoulders <b>PRO430IM1832SG</b> ClearVision™ 2, Head Only <b>PRO431IM1832SG</b> ClearVision 2, Head, Neck & Shoulders <b>PRO430IM1832CL</b> FreedomView™, Head Only <b>PRO430IM1832CL</b> FreedomView™, Head, Neck & Shoulders
Registration Film	<b>PRO440</b>
Cushion Guide	<b>PRO450</b>
Lok-Bars	<b>MTIL6056</b> Lok-Bar™, Prodigy™ 2, 41.5 cm <b>MTIL6057</b> Lok-Bar, Prodigy 2, MRI, 41.5 cm
Indications for use	<b>MTIL6682K, PRO400K, PRO420K, PRO430, PRO430IM1832, PRO431IM1832, PRO430IM1832SG, PRO431IM1832SG, PRO430IM1832CL, PRO431IM1832CL</b> The device is indicated to aid in supporting, positioning, and/or immobilization of adult and pediatric patients undergoing radiation therapy of the head, brain, neck and spine including radiosurgery and electron, photon, and proton treatments. The device is also used during image acquisition to support treatment planning.
MR Safe	<b>PRO420K, PRO440, PRO450, MTIL6057, MTIL662501, MTIL662502, PRO430, PRO430IM1832, PRO431IM1832, PRO430IM1832SG, PRO431IM1832SG, PRO431IM1832CL, PRO430IM1832CL</b>
FDA Clearance	Yes
CE Marked (EU DOC)	Yes
Other Country Registrations	Available upon request
Country of Manufacture	USA

# Technical Details

Product Name	Pediatric ProForm™ Head & Neck Extension, Universal Couchtop (includes cushion guide and patient handles)
Product Number	MTIL6682K
Primary Materials	Carbon Fiber Composite, Aluminum
Extension Weight (approx)	5.9 kg / 13 lbs
Working Load	84 kg / 185 lbs
Dimensions (mm)	1292 L x 415 W x 30 H (min.) 1292 L x 530 W x 30 H (max.)

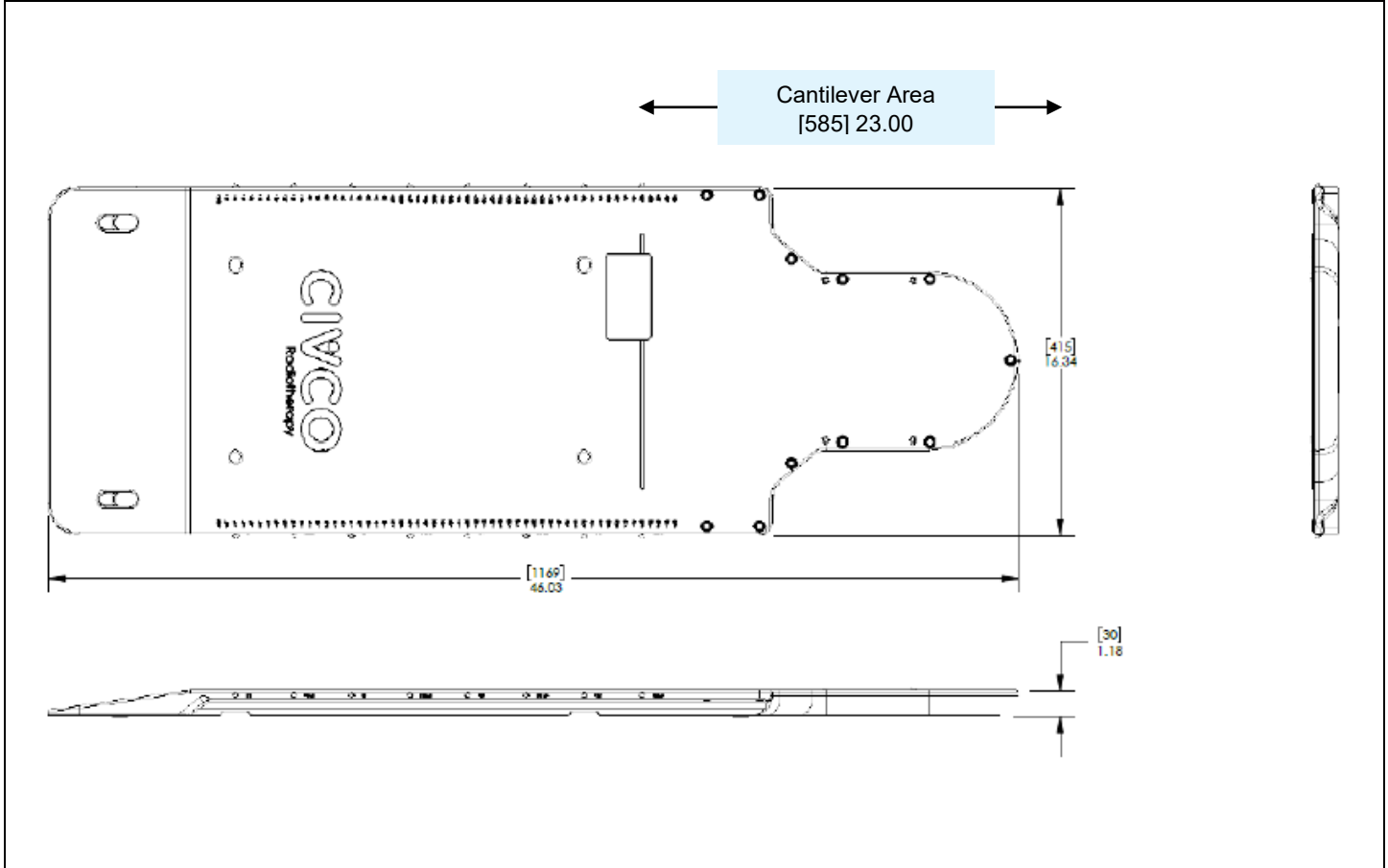
## Technical Drawing (MTIL6682)



# Technical Details

Product Name	Pediatric ProForm™ CT & Photon Treatment Overlay (includes table strap, cushion guide and patient handles)
Product Number	PRO400K
Primary Materials	Carbon Fiber Composite
Weight (approx)	3.2 kg / 7 lbs
Working Load	31 kg / 68 lbs
Dimensions (mm)	1169 L x 415 W x 30 H

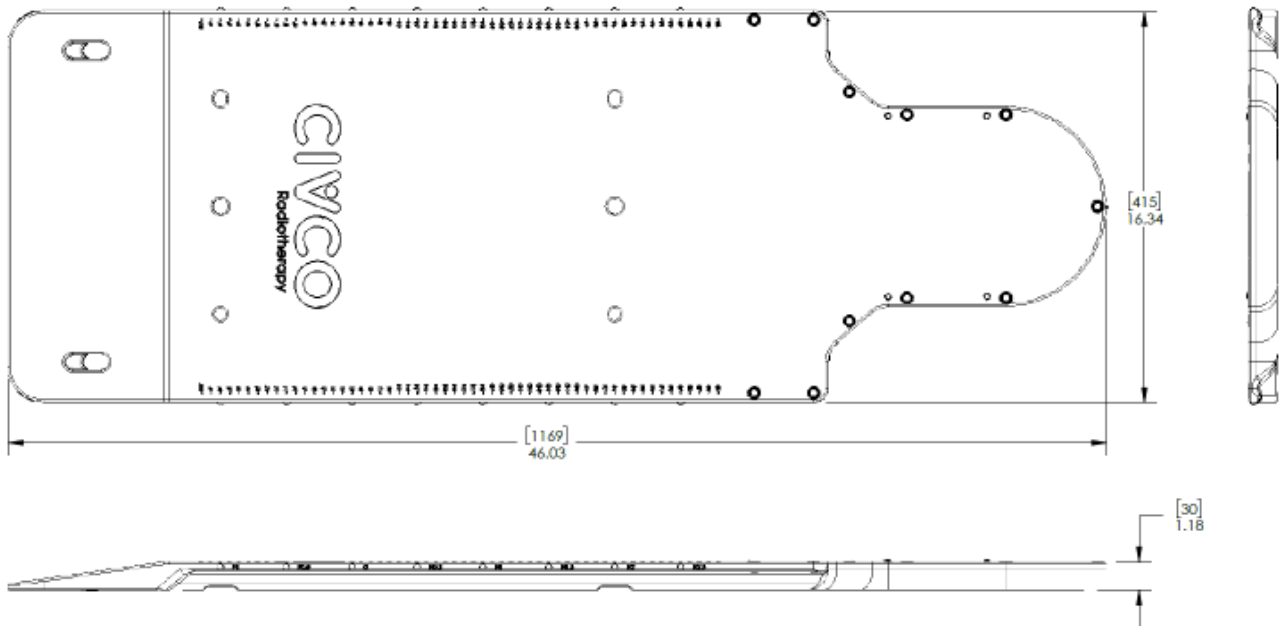
## Technical Drawing (PRO400)



# Technical Details

Product Name	Pediatric ProForm™ MR Overlay (includes cushion guide and patient handles)
Product Number	PRO420K
Primary Materials	Glass Fiber Composite
Weight (approx)	3.7 kg / 8.14 lbs
Dimensions (mm)	1169 L x 415 W x 30 H

## Technical Drawing (PRO420)

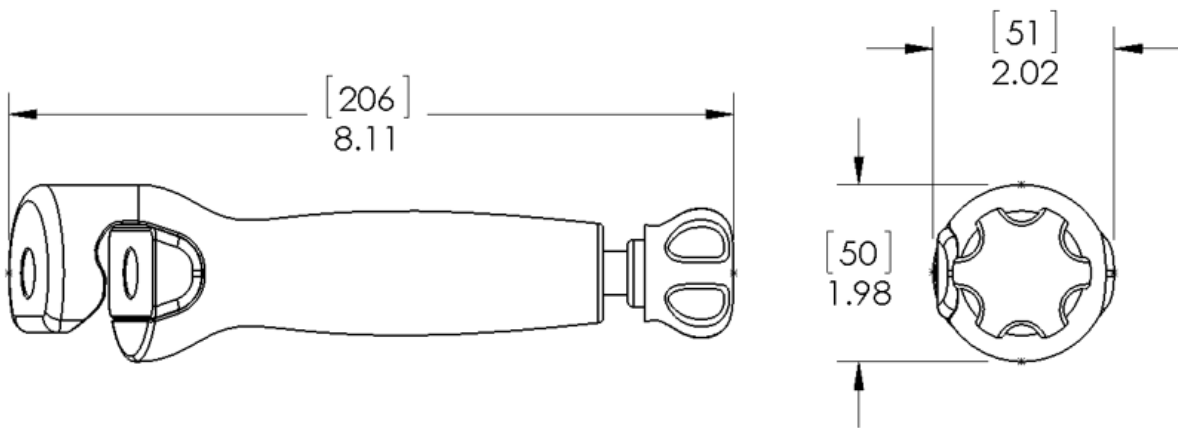


# Technical Details

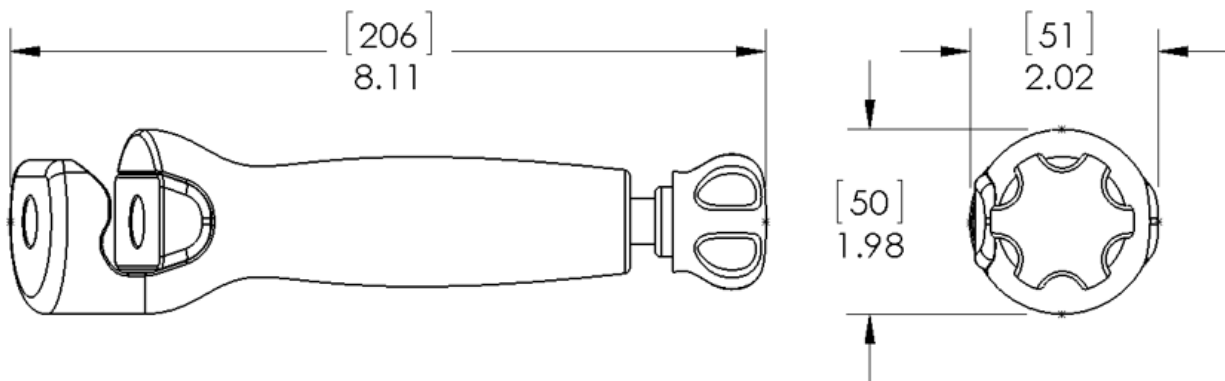
Product Name	Universal Couchtop™ Patient Handles
Product Number	MTIL662501 (right), MTIL662502 (left) Both handles included in MTIL6682K, PRO400K and PRO420K
Primary Materials	Black Acetal
Weight (approx)	0.27 kg / 0.6 lbs each
Dimensions (mm)	206 L x 51 W x 50 H

## Technical Drawing (Part Number)

(Right)



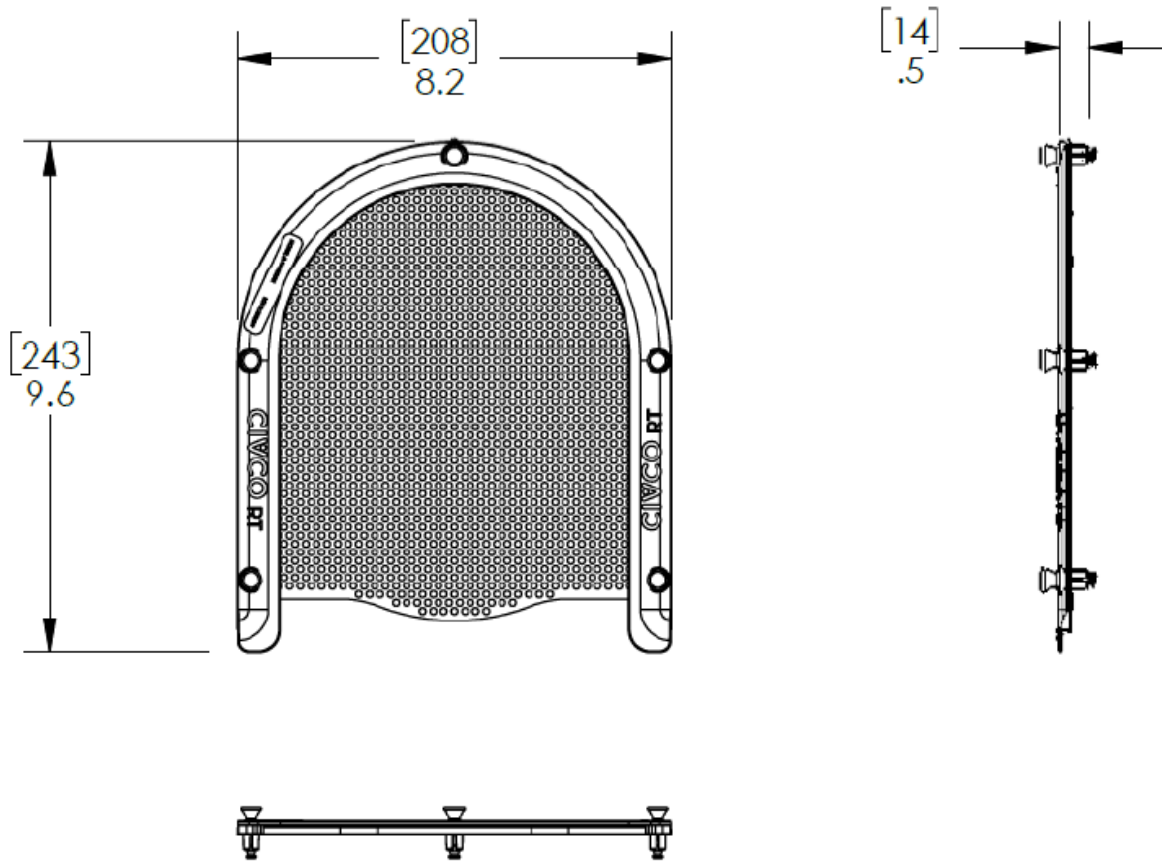
(Left)



# Technical Details

Product Name	Pediatric ProForm™ Standard Perforated, Head Only Thermoplastic
Product Number	PRO430
Primary Materials	Polycaprolactone, Black PC
Weight (approx)	0.14 kg / 0.3 lbs
Dimensions (mm)	243 L x 208 W x 14 H

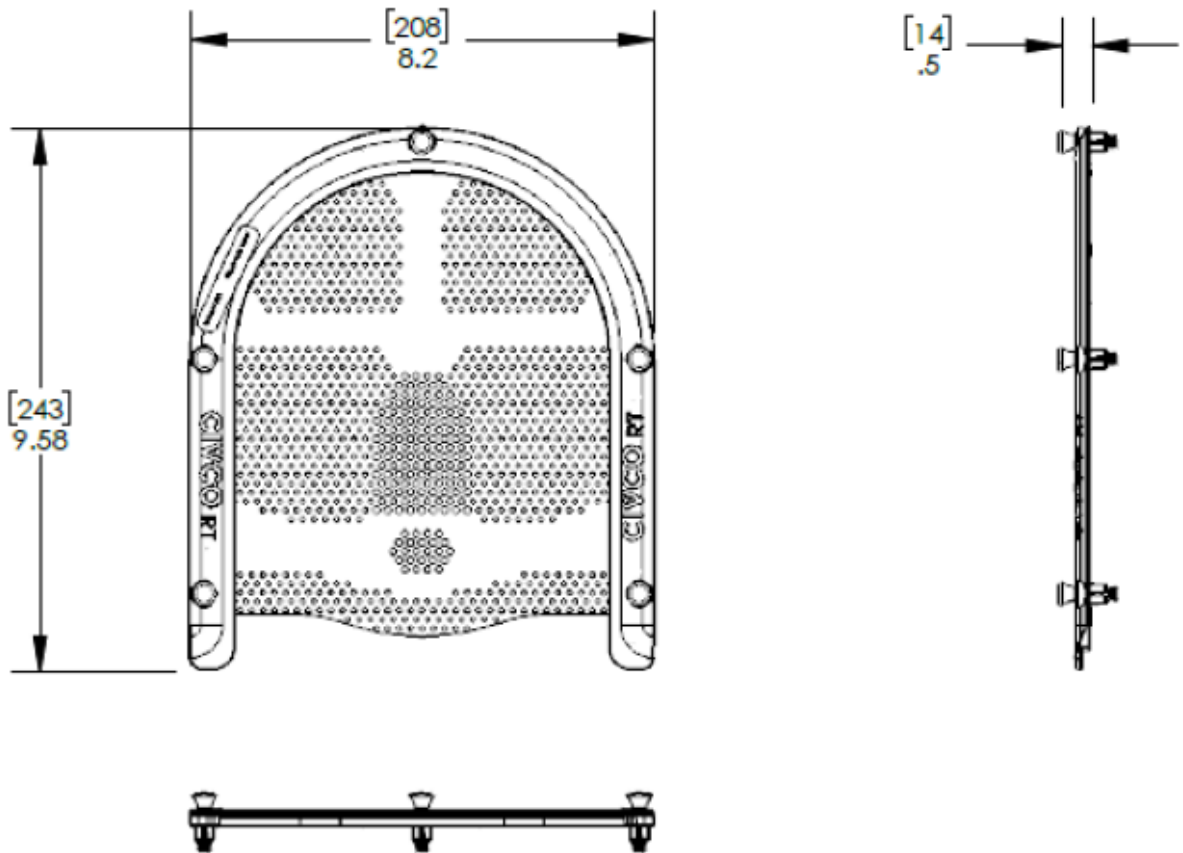
## Technical Drawing (PRO340)



# Technical Details

Product Name	Pediatric ProForm™ IMRT Reinforced Style 18, Head Only Thermoplastic
Product Number	PRO430IM1832
Primary Materials	Polycaprolactone, Black PC
Weight (approx)	0.16 kg / 0.35 lbs
Dimensions (mm)	243 L x 208 W x 14 H

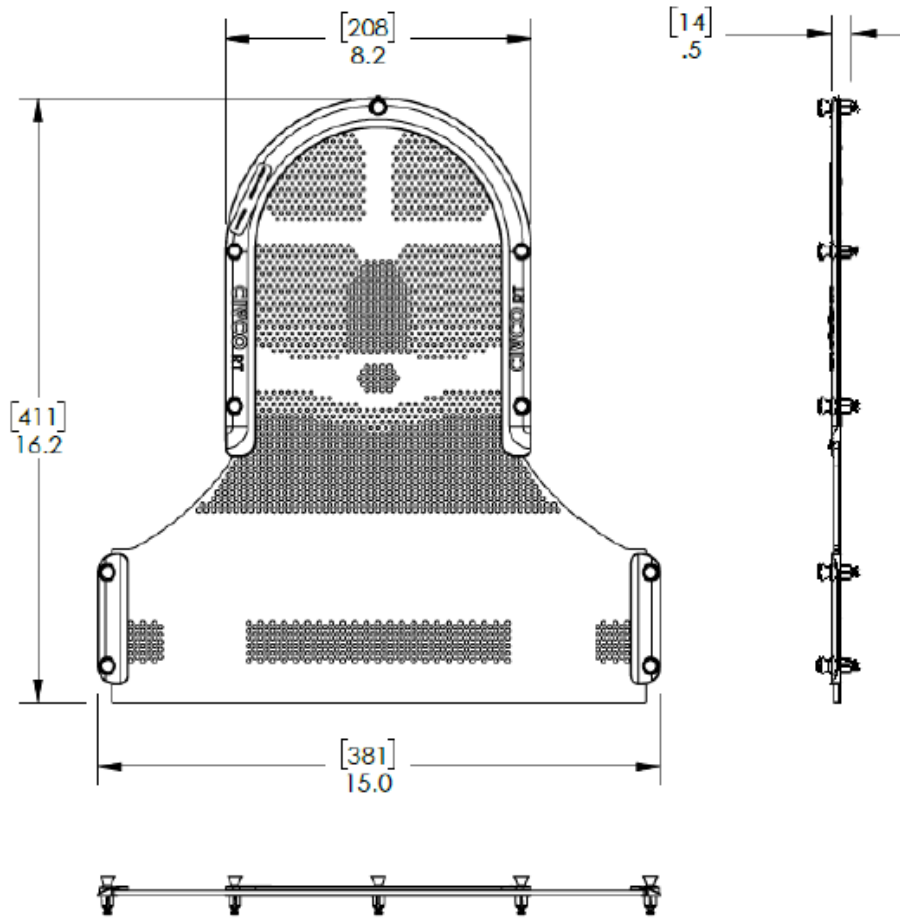
## Technical Drawing (PRO430IM1832)



# Technical Details

Product Name	Pediatric ProForm™ IMRT Reinforced Style 18, Head, Neck & Shoulders Thermoplastic
Product Number	PRO431IM1832
Primary Materials	Polycaprolactone, Black PC
Weight (approx)	0.36 kg / 0.8 lbs
Dimensions (mm)	411 L x 208 W x 14 H (min) 411 L x 381 W x 14 H (max)

## Technical Drawing (PRO431IM1832)

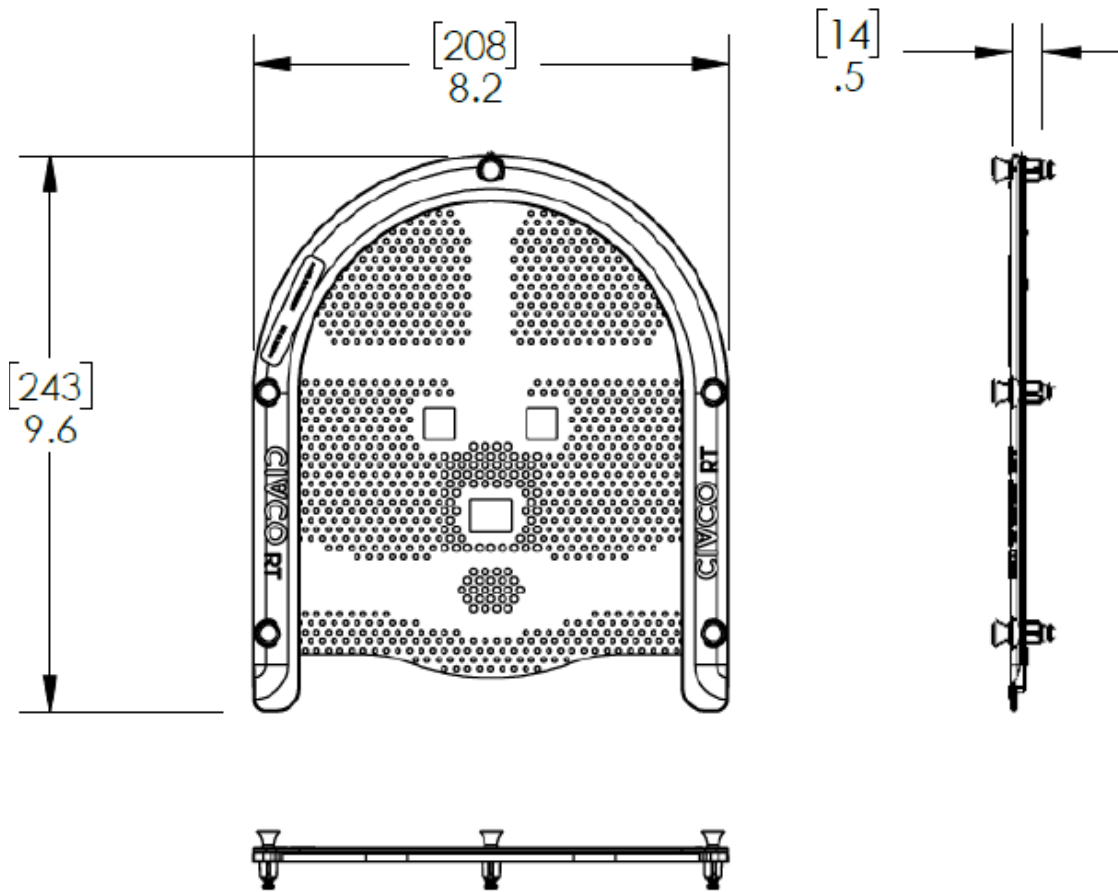




# Technical Details

Product Name	Pediatric ProForm™ FreedomView™ IMRT Style 18, Head Only Thermoplastic
Product Number	PRO430IM1832CL
Primary Materials	Polycaprolactone, Black PC
Weight (approx)	0.14 kg / 0.3 lbs
Dimensions (mm)	243 L x 208 W x 14 H

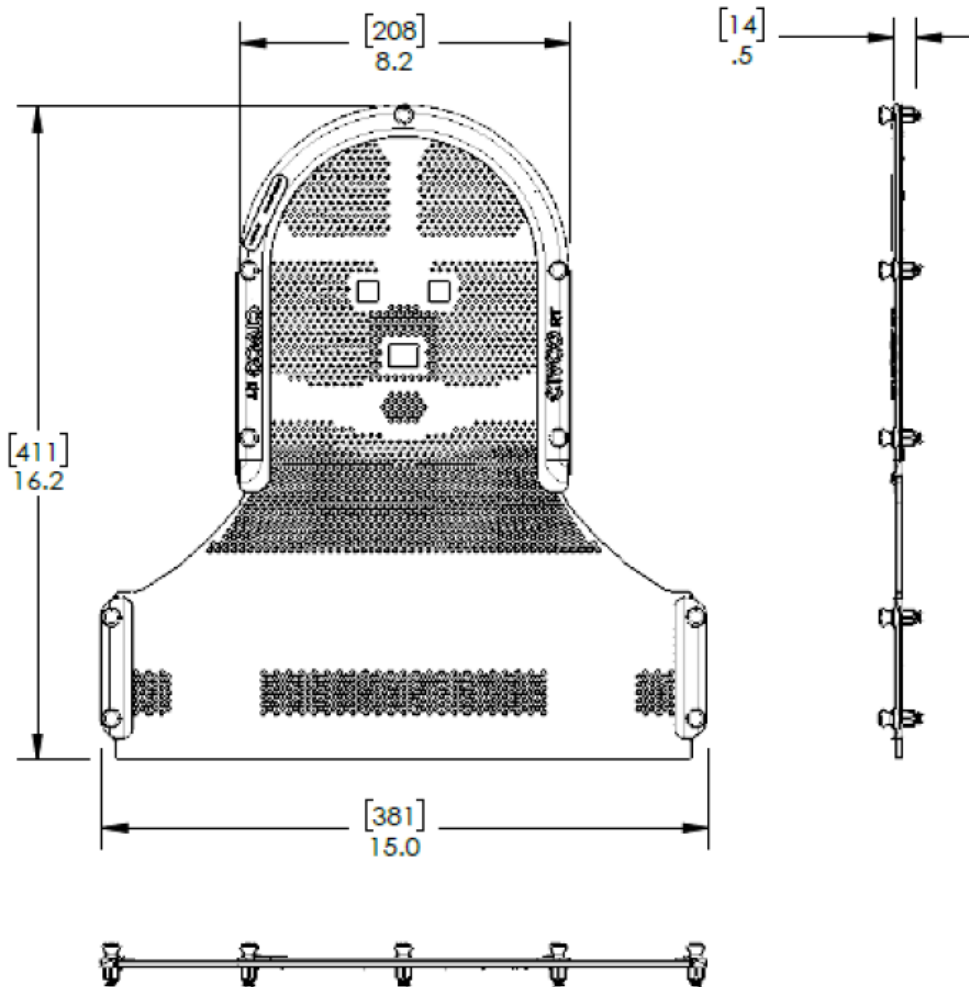
## Technical Drawing (PRO430IM1832CL)



# Technical Details

Product Name	Pediatric ProForm™ FreedomView™ IMRT Style 18, Head, Neck & Shoulders Thermoplastic
Product Number	PRO431IM1832CL
Primary Materials	Polycaprolactone, Black PC
Weight (approx)	0.34 kg / 0.75 lbs
Dimensions (mm)	411 L x 208 W x 14 H (min) 411 L x 381 W x 14 H (max)

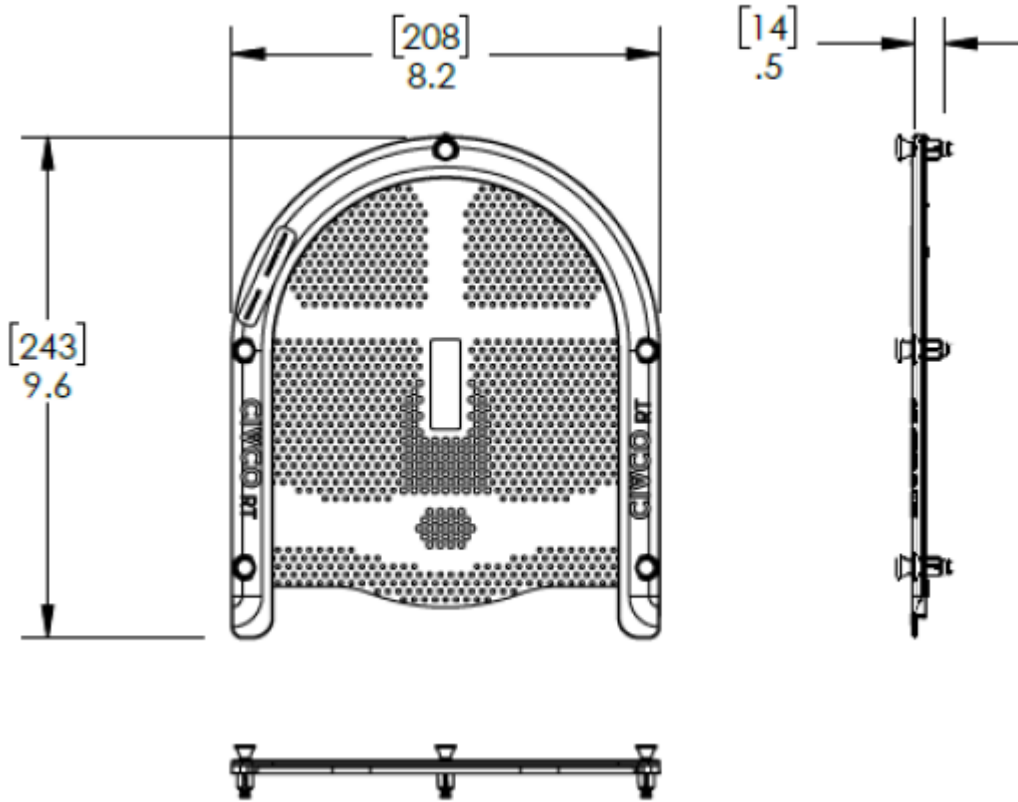
## Technical Drawing (PRO431IM1832CL)



# Technical Details

Product Name	Pediatric ProForm™ ClearVision™ Head Only Thermoplastic
Product Number	PRO430IM1832SG
Primary Materials	Polycaprolactone, Black PC
Weight (approx)	0.14 kg / 0.3 lbs
Dimensions (mm)	243 L x 208 W x 14 H (min)

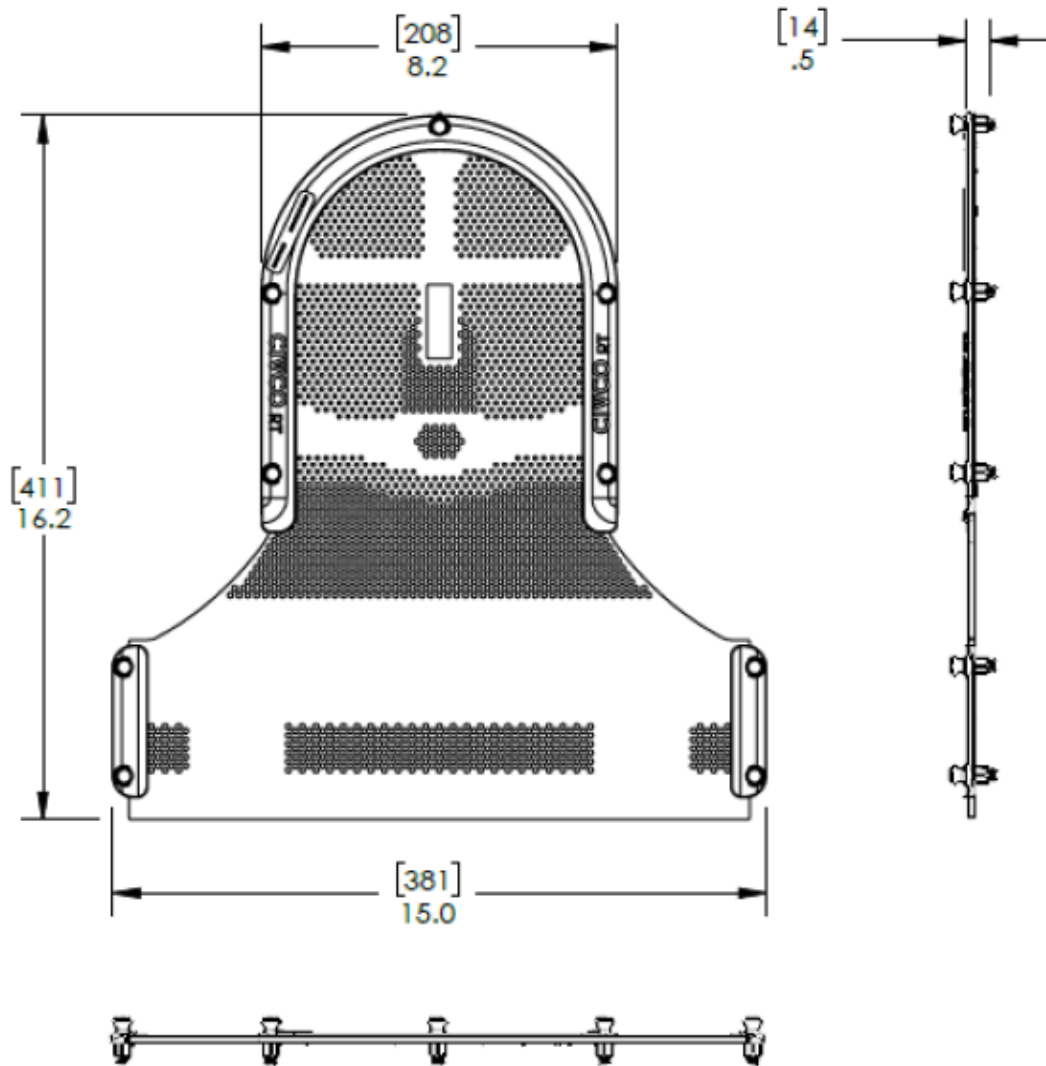
## Technical Drawing (PRO430IM1832SG)



# Technical Details

Product Name	Pediatric ProForm™ ClearVision™ Head, Neck & Shoulders Thermoplastic
Product Number	PRO431IM1832SG
Primary Materials	Polycaprolactone, Black PC
Weight (approx)	0.36 kg / 0.8 lbs
Dimensions (mm)	411 L x 208 W x 14 H (min) 411 L x 381 W x 14 H (max)

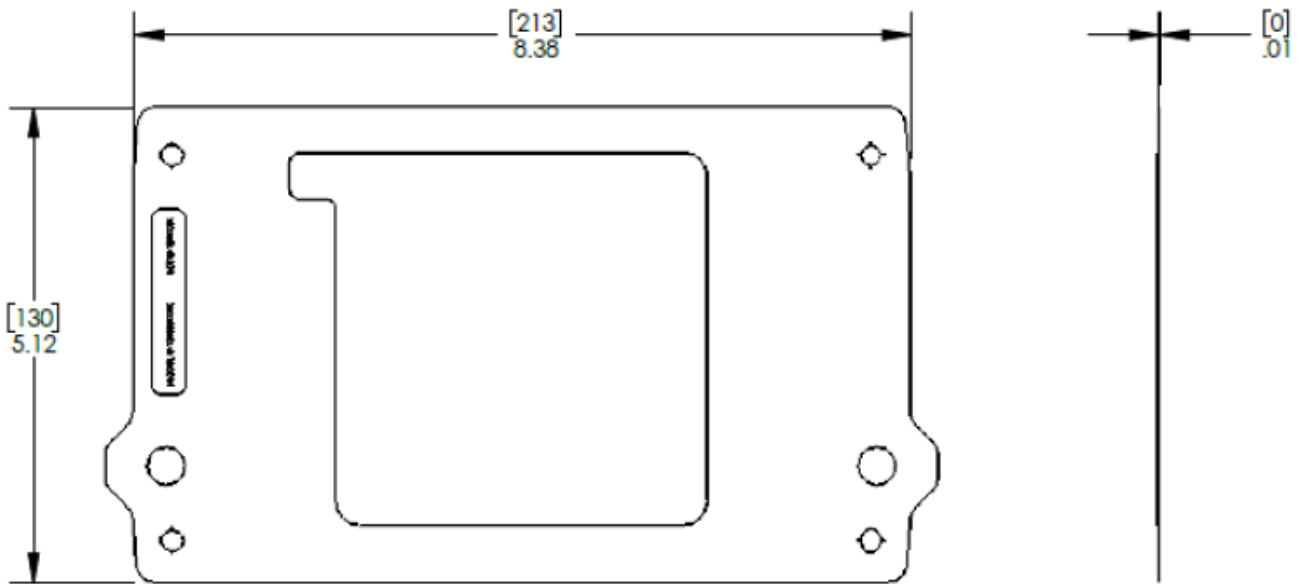
## Technical Drawing (PRO431IM1832SG)



# Technical Details

Product Name	Pediatric ProForm™ Registration Film
Product Number	PRO440
Primary Materials	Polyester
Weight (approx)	0.02 kg / 0.04 lbs
Dimensions (mm)	130 L x 213 W x 0 H

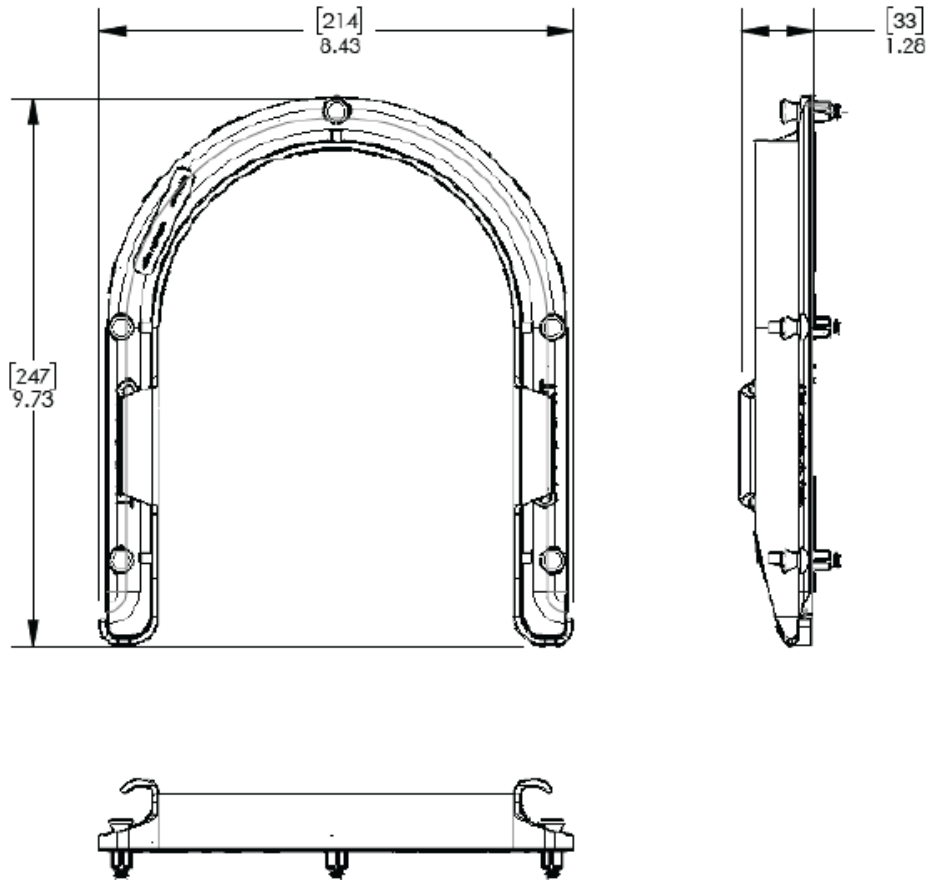
## Technical Drawing (PRO440)



# Technical Details

Product Name	Pediatric ProForm™ Cushion Guide
Product Number	PRO450
Primary Materials	Polycarbonate and Polyamide black
Weight (approx)	0.2 kg / 0.4 lbs
Dimensions (mm)	247 L x 214 W x 33 H

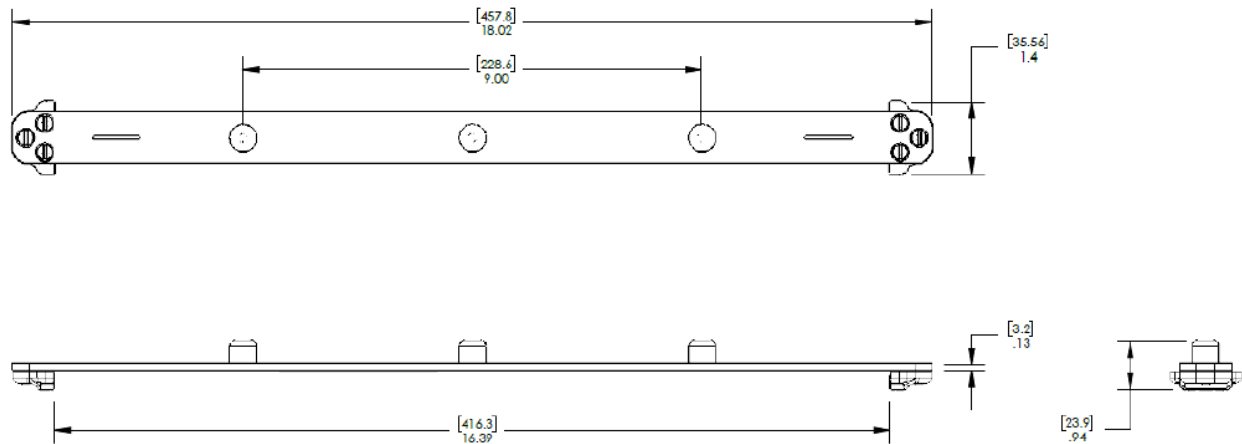
## Technical Drawing (PRO450)



# Technical Details

Product Name	Three-Pin Prodigy™ 2, MRI Lok-Bar™, for use with Pediatric ProForm™ MR Overlay
Product Number	MTIL6057
Primary Materials	Black Acetal Copolymer
Weight (approx)	0.23 kg / 0.5 lbs
Dimensions (mm)	458 L x 36 W x 24 H (max)

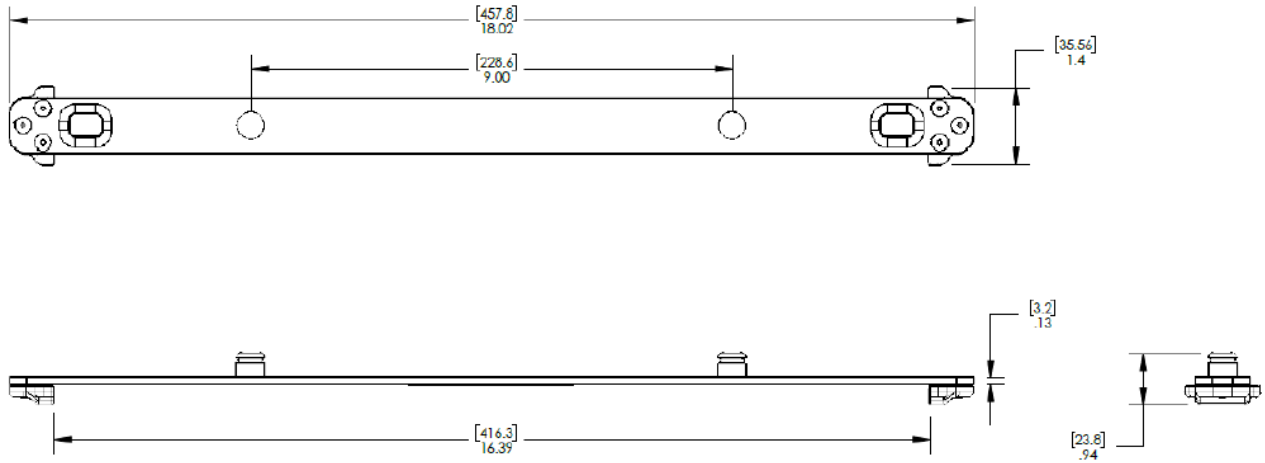
## Technical Drawing (MTIL6057)



# Technical Details

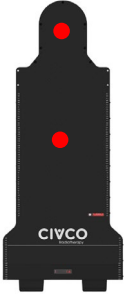


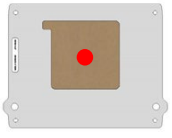
Product Name	Two-Pin Prodigy™ 2 Lok-Bar™, for use with Universal Couchtop Pediatric ProForm™ Extension and CT & Photon Pediatric Overlay
Product Number	MTIL6056
Primary Materials	Aluminum
Weight (approx)	0.2 kg / 0.45 lbs
Dimensions (mm)	458 L x 36 W x 24 H

## Technical Drawing (MTIL6056)





# WET Values

Image	Product & Part Number(s)	Location or Material Tested	Thickness	Proton Water Equivalency (R80)
	<b>Pediatric ProForm™ UCT Extension</b>			
	MTIL6682	<ul style="list-style-type: none"> <li>Center of Head Area</li> <li>Center of Extension</li> </ul>	3 cm 3 cm	6.2 mm 6.2 mm  Variation in WET value is limited to less than 0.3 mm across the treatment area
	PRO430	<ul style="list-style-type: none"> <li>Center of Head Area</li> </ul>	3.2 mm	2.9 mm
	<b>Pediatric ProForm IMRT Reinforced Thermoplastic Styles</b>			
	PRO430IM1832	<ul style="list-style-type: none"> <li>Center of Nose Area</li> </ul>	3.2 mm	3.0 mm
	PRO431IM1832	<ul style="list-style-type: none"> <li>Solid Reinforcement Area</li> </ul>	3.2 mm	3.6 mm
	PRO430IM1832CL	<ul style="list-style-type: none"> <li>Cheek Area</li> </ul>	3.2 mm	3.4 mm
	PRO431IM1832CL			
	PRO430IM1832SG PRO431IM1832SG			
	<b>Pediatric ProForm Registration Film</b>			
PRO440	<ul style="list-style-type: none"> <li>Center</li> </ul>	0.43 mm	0.5 mm (R90)	

Performance Specifications are for reference only. Values may vary based on setup and equipment.

Warranty	<a href="#">See CIVCO RT website for Product Warranty Statement</a>
Launch Date	July 2022