

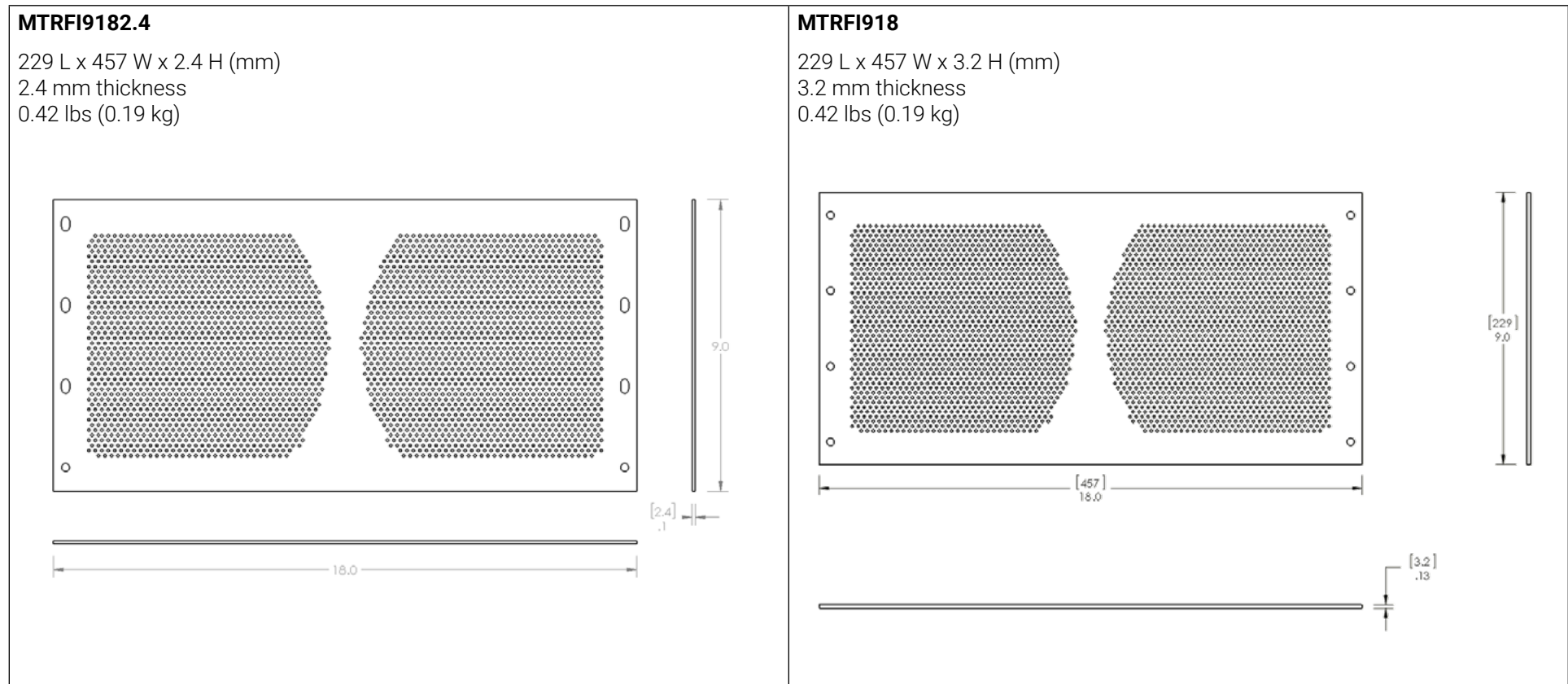
Breast Thermoplastics, Standard White

CIVCO RT Technical Data Sheet

Breast Thermoplastics feature standard perforation, combination of perforation and solid thermoplastic bands and other unique patterns that maintain rigidity and reproducibility. These thermoplastics require two reusable handles that mount to the C-Qual M™, C-Qual™, MT-350 and Evolve Breastboards.

Product Configuration

IMRT Reinforced™

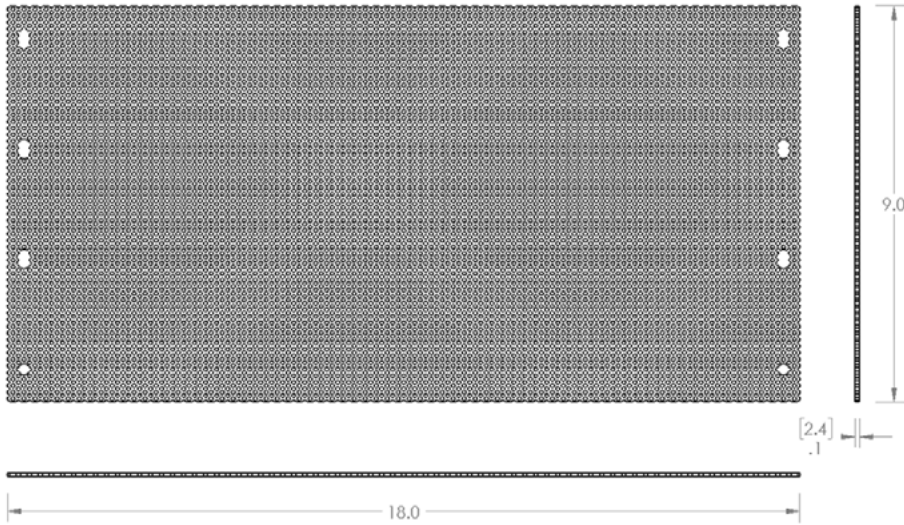


Product Configuration (cont'd)

Standard Perforated

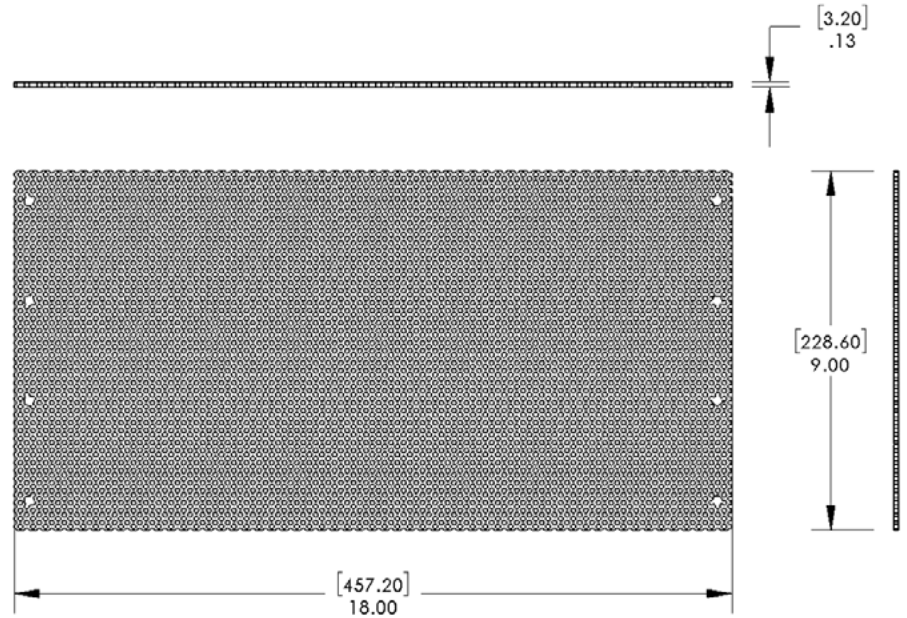
MTRFX9182.4

229 L x 457 W x 2.4 H (mm)
2.4 mm thickness
0.5 lbs (0.23 kg)



MTRFX918

229 L x 457 W x 3.2 H (mm)
3.2 mm thickness
0.5 lbs (0.23 kg)



Product Configuration (cont'd)

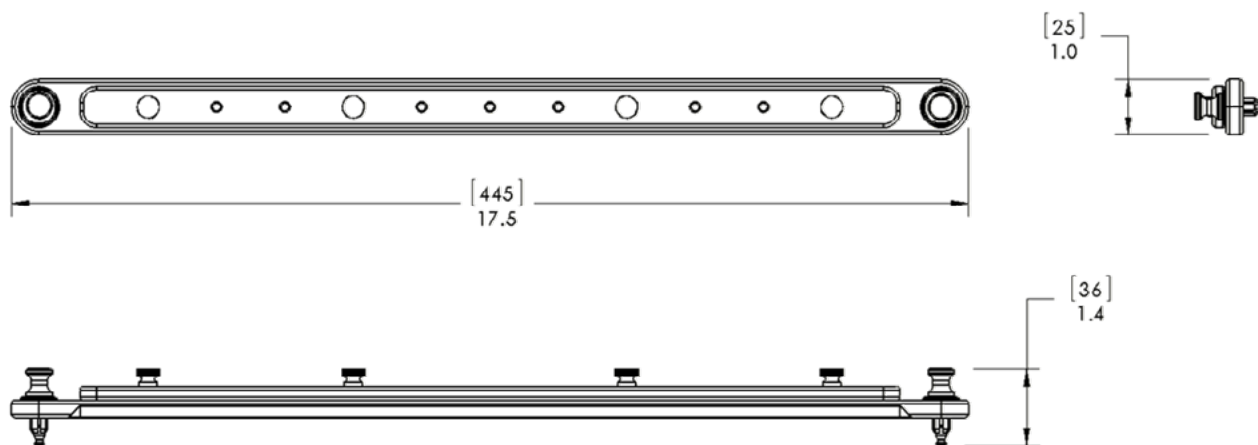
Breast Support Handle System

MTRFH3, Qty 2

Materials: White Acetal, Black Delrin

0.4 lbs (0.18 kg) each

445 L x 25 W x 36 H (mm)



Thermoplastic Technical Details

	2.4 Standard Perforation		3.2 Standard Perforation		2.4 IMRT Reinforced		3.2 IMRT Reinforced	
Primary Materials	Polycaprolactone, White ABS, White Acetal		Polycaprolactone, White ABS, White Acetal		Polycaprolactone, White ABS, White Acetal		Polycaprolactone, White ABS, White Acetal	
Attenuation (Unstretched)**	6MV: 0.53% 18MV: 0.03%		6MV: 0.72% 18MV: 0.12%		6MV: 0.81% (solid region) 18MV: 0.21% (solid region)		6MV: 1.09% (solid region) 18MV: 0.21% (solid region)	
Thickness	2.4 mm (.094")		3.2 mm (.125")		2.4 mm (.094")		3.2 mm (.125")	
Perforation (surface)	38% (Standard)		38% (Standard)		Varies (IMRT Pattern)		Varies (IMRT Pattern)	
Density	1.145 g/cm ³		1.145 g/cm ³		1.145 g/cm ³		1.145 g/cm ³	
Surface feeling	Smooth		Smooth		Smooth		Smooth	
Color	White		White		White		White	
Odor	None		None		None		None	
Biocompatible	Yes		Yes		Yes		Yes	
Transparent when activated	Yes		Yes		Yes		Yes	
	Waterbath	Dry Heat Oven	Waterbath	Dry Heat Oven	Waterbath	Dry Heat Oven	Waterbath	Dry Heat Oven
Activation temperature	75° C / 165° F	75° C / 165° F	75° C / 165° F	75° C / 165° F	75° C / 165° F	75° C / 165° F	75° C / 165° F	75° C / 165° F
Activation time	6 min	4–8 min	6 min	4–8 min	6 min	4–8 min	6 min	4–8 min
Molding time (maximum)*^a	1 min 15 sec	N/A	1 min 30 sec	N/A	1 min 30 sec	N/A	1 min 30 sec	N/A
Hardening time*^b	8 min 45 sec	N/A	8 min 30 sec	N/A	8 min 30 sec	N/A	8 min 30 sec	N/A
Time to completion (minimum)*^c	10 min	10 min	10 min	10 min	10 min	10 min	10 min	10 min

Product Details

Indications for use	The intended use of this device is to immobilize the patient during radiation therapy. Devices are used to aid in the support and positioning of patients during an MRI.
Contraindications	None
MRI Compatible	MR Safe
Integration	Connects to the C-Qual M™, C-Qual™, MT-350 and Evolve Breastboards via two reusable support handles.
FDA Clearance	Yes
CE Marked (EU DOC)	Yes
Other Country Registrations	Available upon request
Country of Manufacture	USA

Packaging Details

Unit Pack	1 Piece
Units / Box	1 Piece
Shelf Life	N/A
Warranty	See CIVCO RT website for Product Warranty Statement
Sterilization	Non-Sterile

Test Procedures used to Acquire Data

Definitions*

- Molding Time** - the time frame available from when the mask is removed from the waterbath to the time that the mask can no longer be molded or formed.
- Hardening Time** - the time between the molding and completion time where the mask should be cooling and hardening on its own without being manipulated or molded.
- Time to Completion** - the total time from when the mask is taken out of the waterbath or dry heat oven to when the mask can be removed from the patient.

Attenuation Test Conditions**

- 100 cm SAD
- 10 x 10 cm Field Size
- 6 MV Dmax = 1.5 cm
18 MV Dmax = 3.0 cm

Global Sales Office

Orange City, Iowa, USA
800.842.8688 | +1 712.737.8688

info@CivcoRT.com
www.CivcoRT.com

COPYRIGHT © 2022, CIVCO IS A REGISTERED TRADEMARK OF CIVCO MEDICAL SOLUTIONS. CIVCO RADIOTHERAPY, CIVCO RT, C-QUAL, C-QUAL M, EVOLVE, FREEDOMVIEW AND IMRT REINFORCED ARE TRADEMARKS OF MEDTEC LLC. ALL PRODUCTS MAY NOT BE LICENSED IN ACCORDANCE WITH CANADIAN LAW.
2022C1638 REV. A

CIVCO
Radiotherapy™