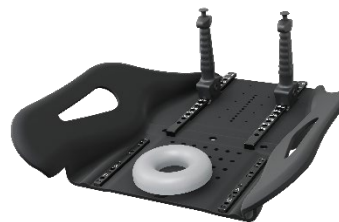



Pro Wing Board™

CIVCO RT Technical Data Sheet

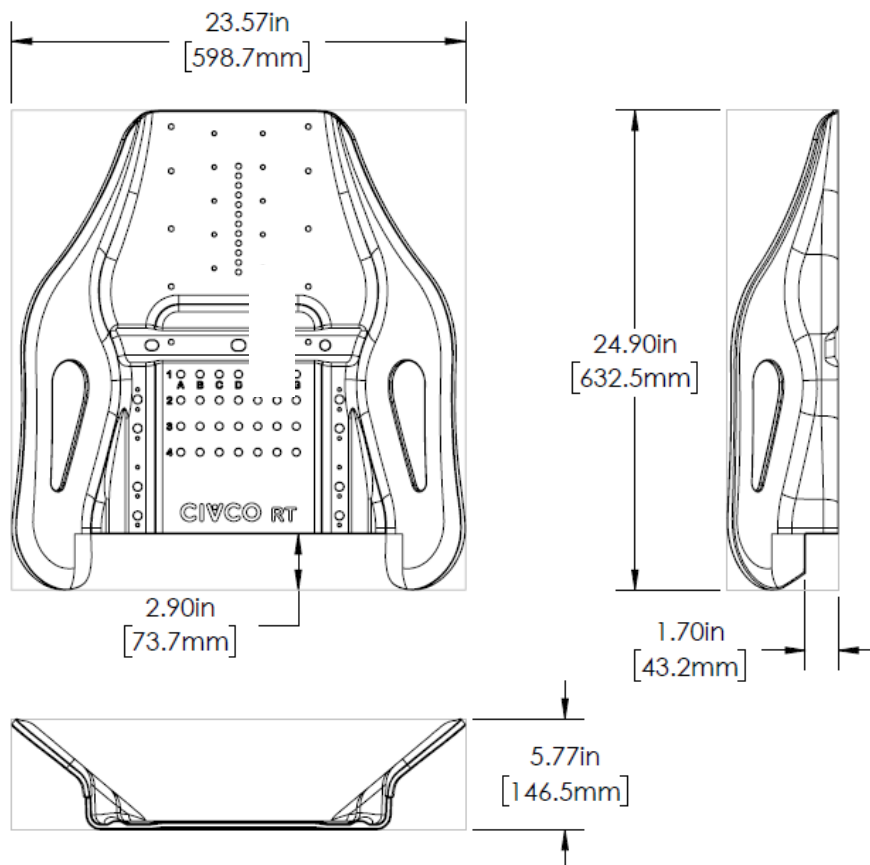


Product Name	Pro Wing Board
Product Number	OAP220 Pro Wing Board, includes Gel Head Cup and Individual Handles
General Description	The Pro Wing Board is constructed of durable, lightweight ABS and provide arms-up patient comfort and support. It accepts four handle options, two headrest options and chin thermoplastic.
Indications for use	The device is intended to support and aid in positioning a patient during radiologic and other medical procedures. Devices are used to aid in the support and positioning of patients during an MRI.
MR Safe	Yes
Integration	2 or 3-Pin Indexable to couchtop or available for use with Evolve Breastboard.
FDA Clearance	Yes
CE Marked (EU DOC)	Yes
Other Country Registrations	Available upon request
Country of Manufacture	USA

Technical Details

Component	Pro Wing Board, OAP220			
Primary Materials	Black ABS			
Weight (approx)	2.8 kg / 6.2 lbs (Wing Board only)			
Dimensions (mm)	632.5 L x 598.7 W x 146.5 H (max)			
Dosimetric Properties	Location	Field Size (cm ²)	Attenuation 6 MV photons	Attenuation 18 MV photons
		10 x 10	2.11	1.03
Performance Specifications are for reference only, values may vary based on setup and equipment.				

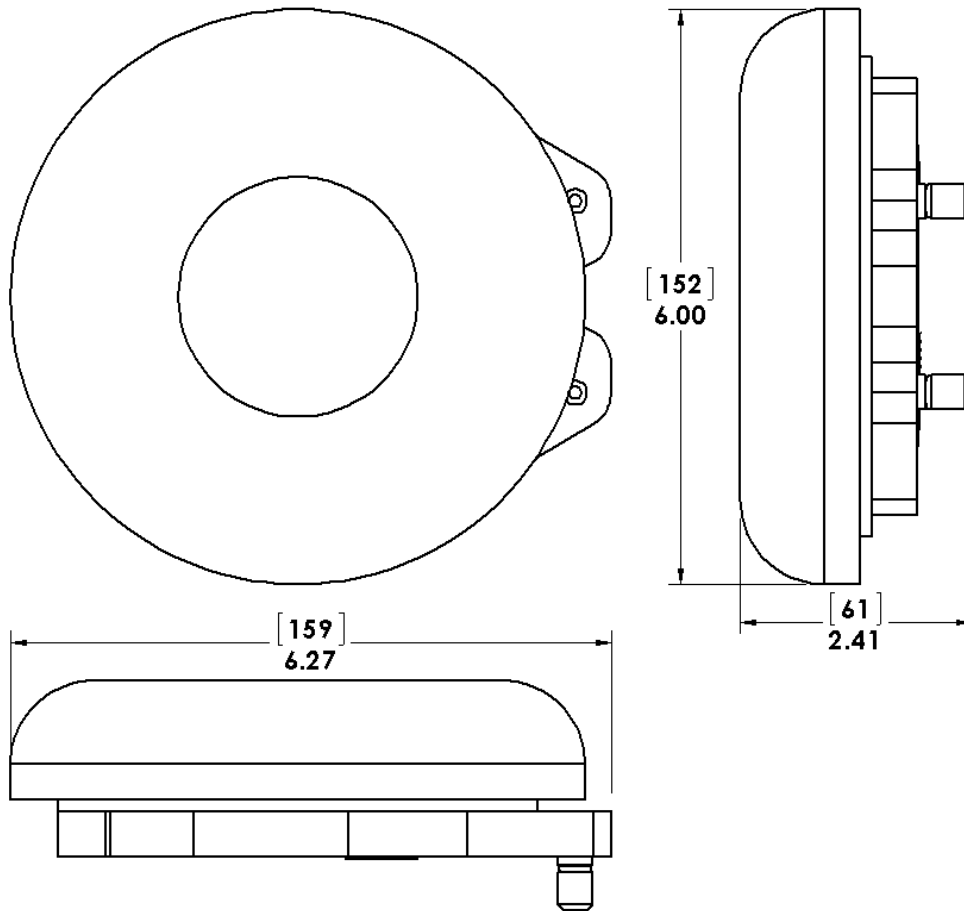
Technical Drawing



Technical Details

Component	Gel Head Cup, MT250SUB10
Primary Materials	Polyurethane, Viscoelastic Polymer, Clear Polycarbonate
Weight (approx)	0.23 kg / 0.5 lbs
Dimensions (mm)	159 L x 152 W x 61 H

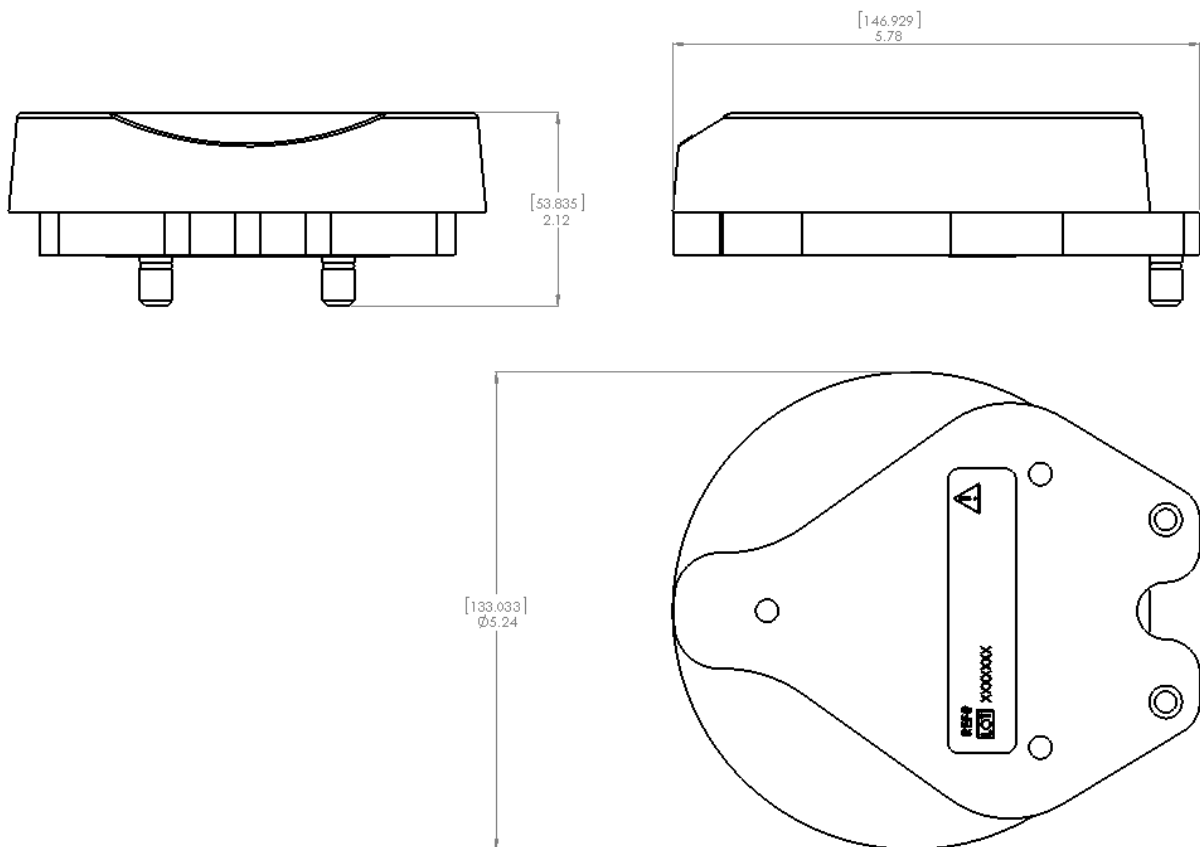
Technical Drawing



Technical Details

Component	Round Head Cup, MT250SUB11
Primary Materials	Clear Polycarbonate, Flexible Urethane Foam,
Weight (approx)	0.28 kg / 0.6 lbs
Dimensions (mm)	146.9 L x 133 W x 53.8 H

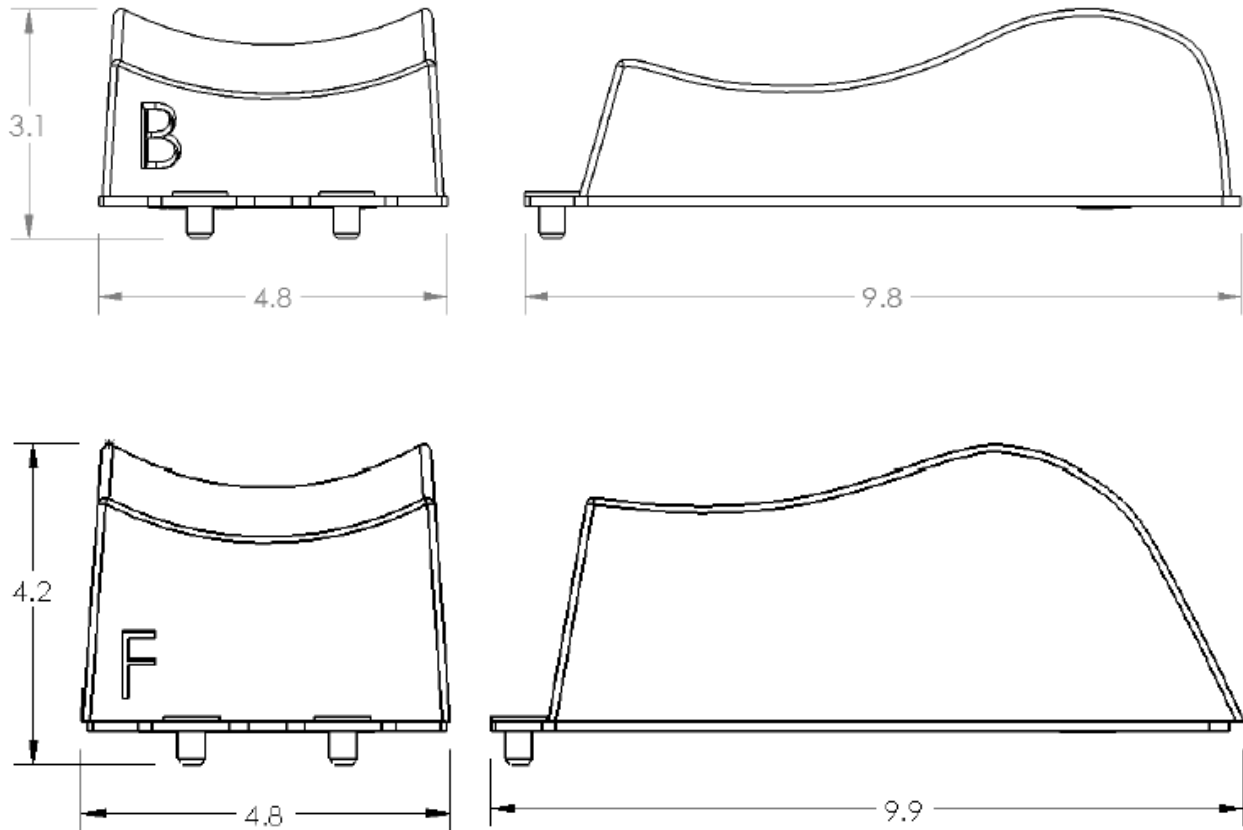
Technical Drawing



Technical Details

Component	Timo Headrest B, MTTIMOB3BB or Timo Headrest F, MTTIMOF3BB
Primary Materials	PE45, Clear Polycarbonate
Weight (approx)	0.39 kg / 0.85 lbs
Dimensions (mm)	249 L x 122 W x 79 H

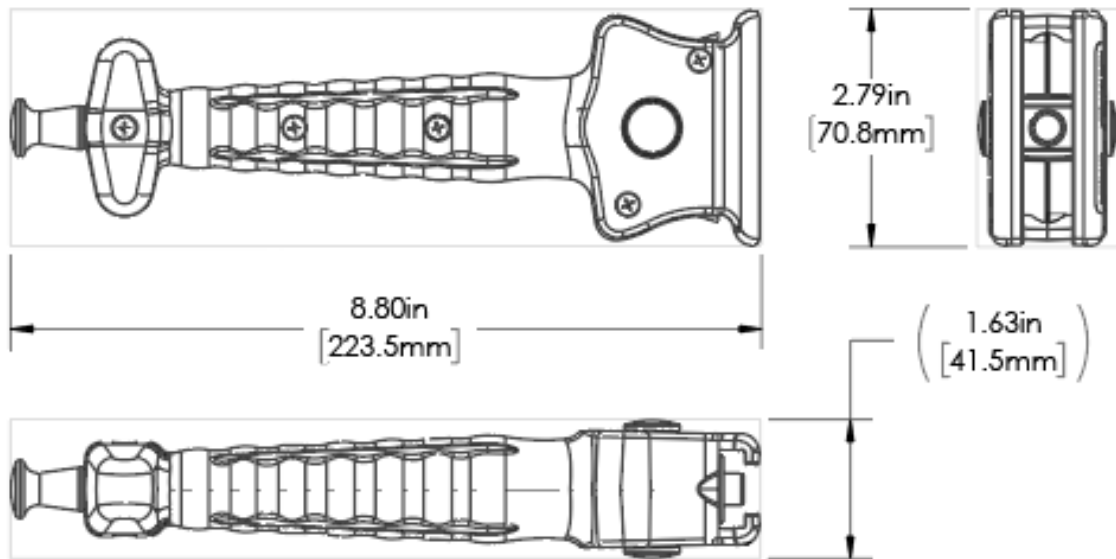
Technical Drawing



Technical Details

Component	Pro Individual Handles, OAP221
Primary Materials	Black ABS
Weight (approx)	0.14 kg / 0.3 lbs each
Dimensions (mm)	70.8 L x 41.5 W x 223.5 H (max)

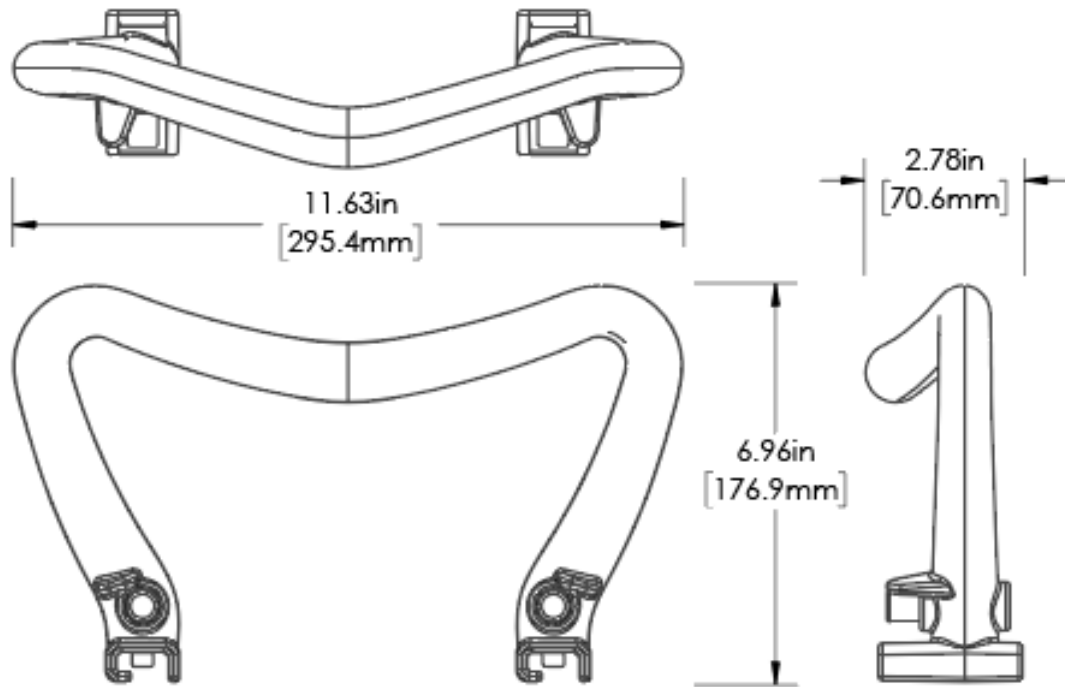
Technical Drawing



Technical Details

Component	M Handle, OAP140
Primary Materials	Black ABS
Weight (approx)	0.27 kg / 0.6 lbs
Dimensions (mm)	70.6 L x 295.4 W x 176.9 H (max)

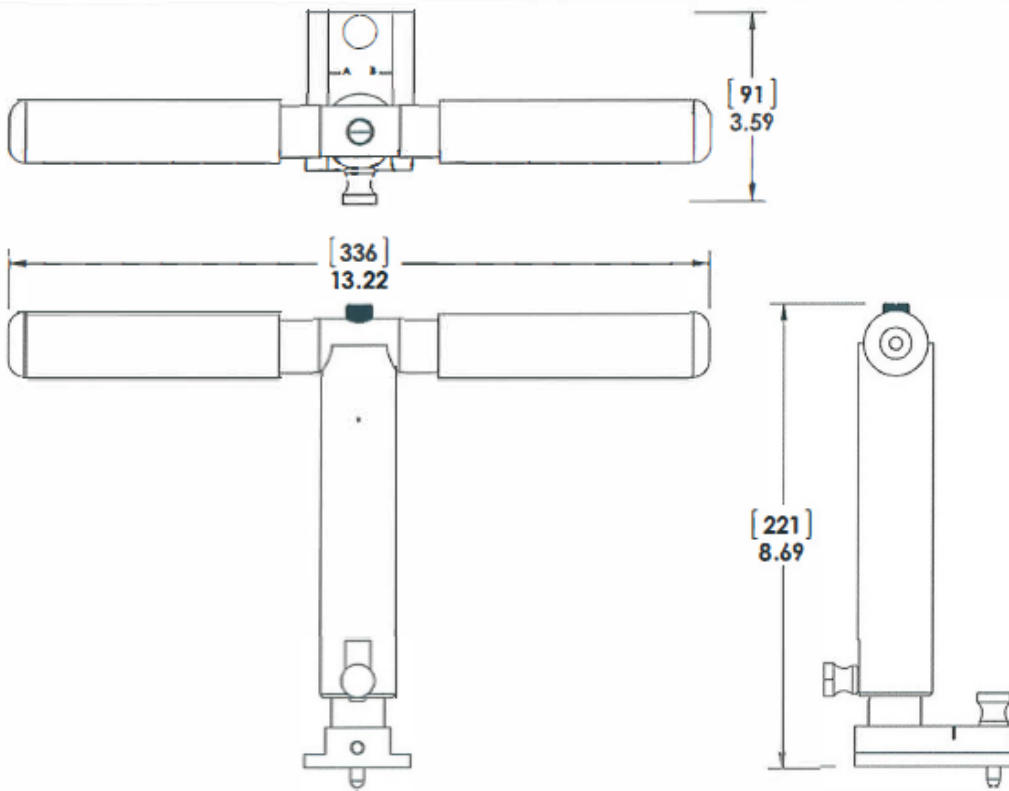
Technical Drawing



Technical Details

Component	T-Grip, OAP223 (includes tracks)
Primary Materials	Black Vinyl, White DELRIN®, White Acetal
Weight (approx)	0.66 kg / 1.45 lbs
Dimensions (mm)	91 L x 336 W x 221 H

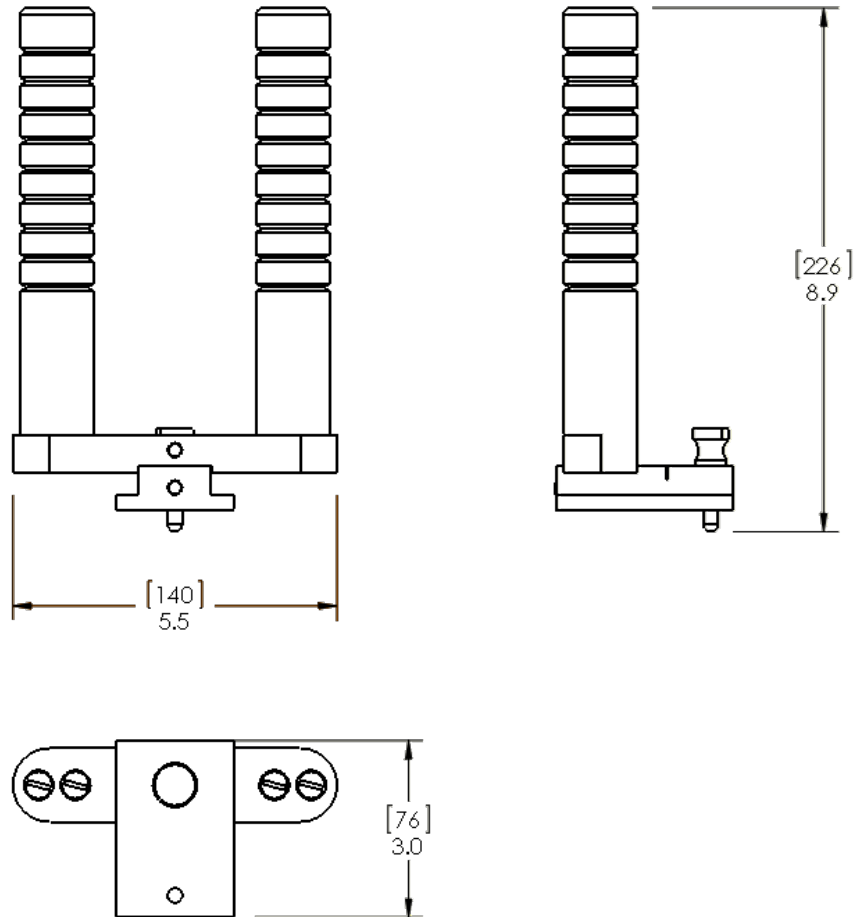
Technical Drawing



Technical Details

Component	U-Grip, OAP224 (includes tracks)
Primary Materials	White DELRIN®, Acetal
Weight (approx)	0.58 kg / 1.27 lbs
Dimensions (mm)	76 L x 140 W x 226 H

Technical Drawing



Packaging

Unit Pack	Each
Units / Box	One device – may have several component parts in box
Shelf Life	n/a
Warranty	See CIVCO RT website for Product Warranty Statement
Sterilization	Non-Sterile
Launch Date	October 2022

Accessories

System Customization	Pro Wing Board compatible with: Gel Headrest (MT250SUB10) Round Headrest (MT250SUB11) Timo Headrests (MTTIMOBBB, MTTIMOFBB) Pro Individual Handles (OAP221) M Handle (OAP140) U-Grip & Tracks (OAP224) T-Grip & Tracks (OAP223) Chin Thermoplastic (772021) See Posicast® Technical Data Sheet
----------------------	---