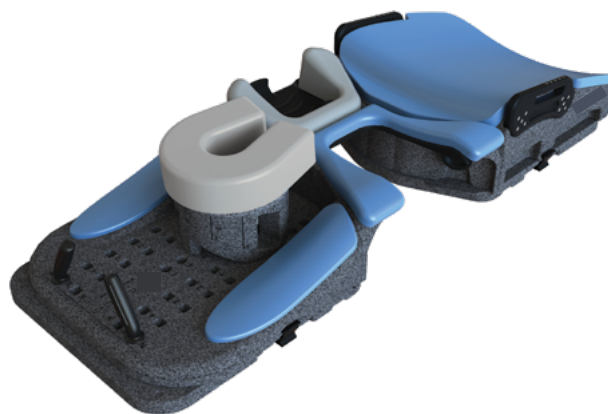


New Horizon™ Prone Breastboard

CIVCO RT Technical Data Sheet



| | |
|------------------------------------|---|
| Product Name | New Horizon™ Prone Breastboard |
| Product Number | MTHPBB01 |
| General Description | The New Horizon Prone Breastboard assists in providing comfortable, reproducible patient positioning for prone breast treatments. The modular design and variety of accessories for the New Horizon allow you to customize your patient setups, including overall height adjustments. |
| Indications for use | Large-breasted patients with adequate mobility. Left-breast treatments where detrimental dose to the heart is a concern. Concerns of skin reaction due to breast folds. Need to reduce separation, increase dose homogeneity. |
| MRI Compatible | No |
| Integration | 2-Pin Indexable to Couchtop |
| FDA Clearance | Yes |
| CE Marked (EU DOC) | Yes |
| Other Country Registrations | Available upon request |

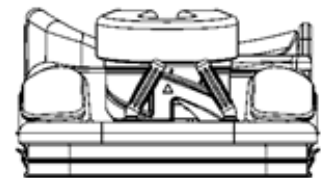
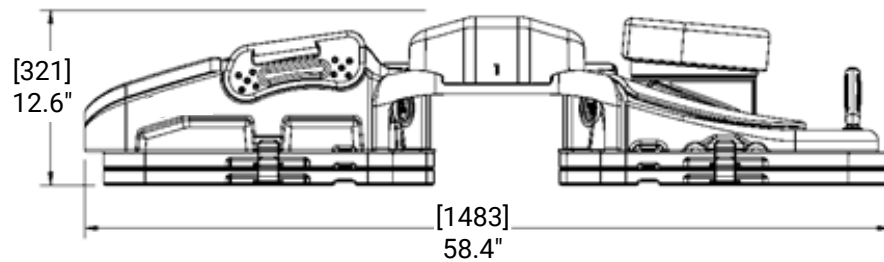
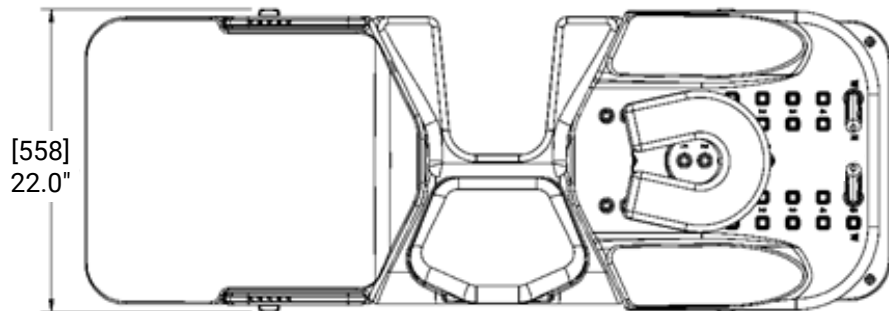
Technical Details

Primary Materials Polyurethane, Polyethylene, Black Acetal

Weight (approx) 27.67 kg / 61 lbs

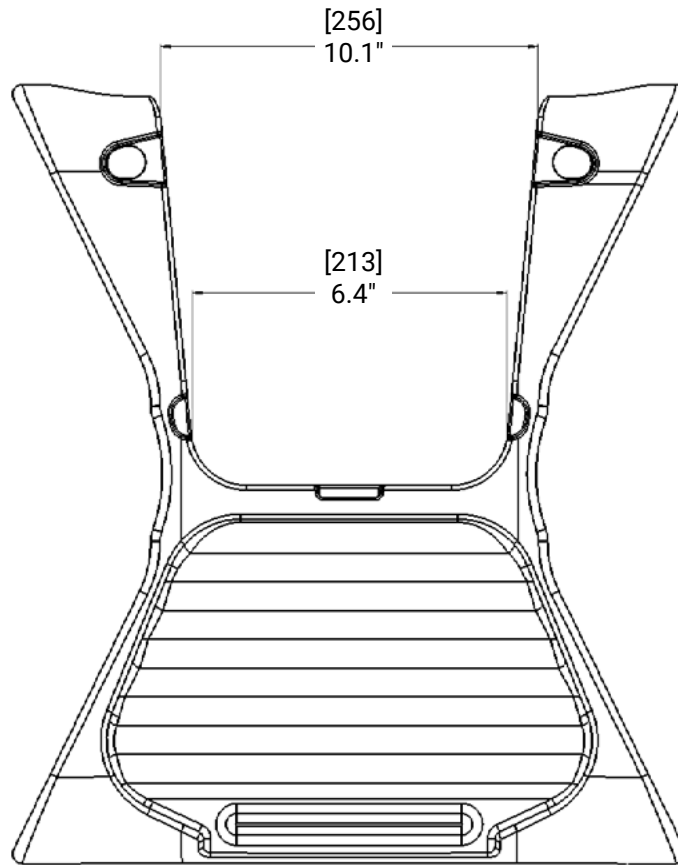
Dimensions (mm) 1483 L x 558 W x 321 H (min.)

Technical Drawing



Country of Manufacture USA

Technical Details - Breast Cutout Area



Packaging

| | |
|----------------------|---|
| Unit Pack | Each |
| Units / Box | One device - may have several component parts in box |
| Shelf Life | n/a |
| Warranty | See CIVCO RT website for Product Warranty Statement |
| Sterilization | Non-Sterile |
| Launch Date | June 2011 |

Accessories

| | |
|-----------------------------|---|
| System Customization | Patient Handles: Included with MTHPBB01 Contralateral Wedge with Movable Tray : Included with MTHPBB01 Head Cushion Covers: MTHPBB103 New Horizon w/ SBRT Bridge and Clam-Lok™ Cushion: Optional feature, not included |
|-----------------------------|---|

Global Sales Office

Orange City, Iowa, USA
800.842.8688 | +1 712.737.8688

info@CivcoRT.com
www.CivcoRT.com

