

C-Qual™ Breastboard

CIVCO RT Technical Data Sheet

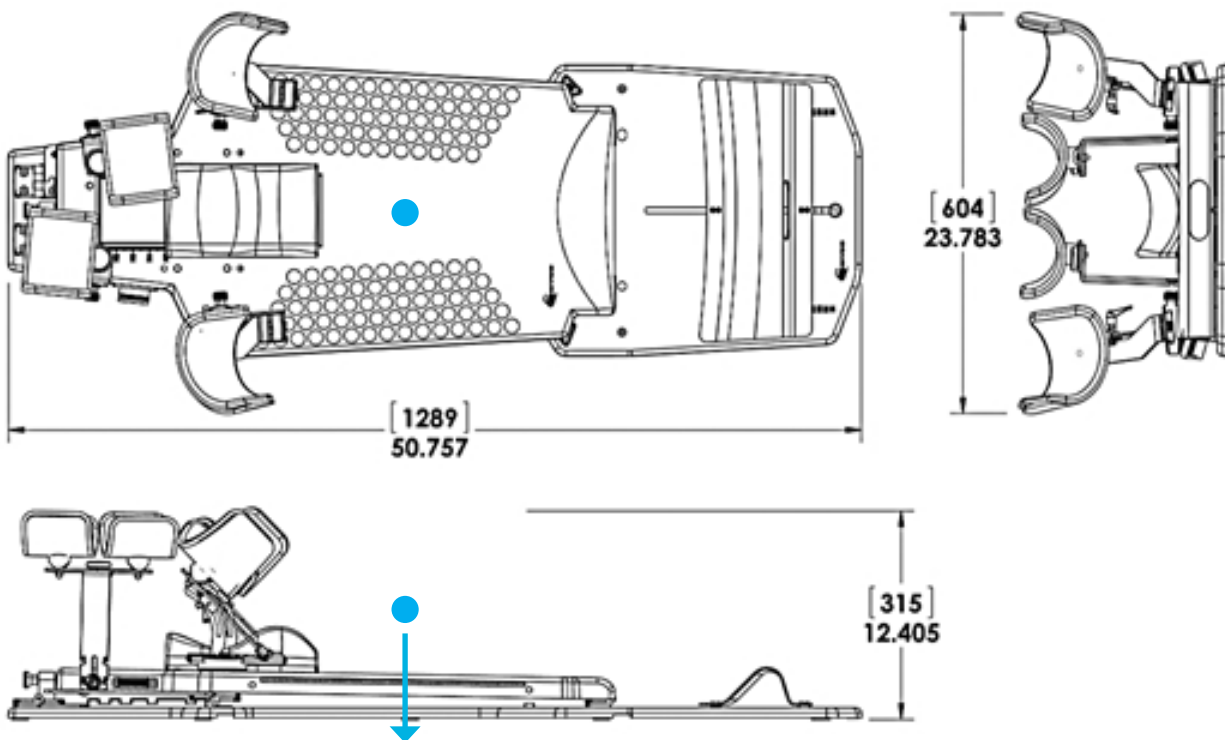


Product Name	C-Qual™ Breastboard
Product Number	MT400: Carbon Fiber C-Qual Breastboard with Arm and Wrist Supports MT401: Carbon Fiber C-Qual Breastboard with Monarch™ Overhead Arm Positioner
General Description	The C-Qual assists in providing comfortable, reproducible patient positioning for supine breast treatment. The breast board features a positive-locking tilt system, helping to ensure proper breast set-up angulation. Its carbon fiber treatment grid and adjustable arm and wrist supports aid in comfortable arms-up positioning for enhanced breast treatment access.
Indications for use	Breast cancer patients unable to lie prone. Smaller-breasted patients. Need for clearer visualization of medial field edge. Enhanced CT-gantry clearance.
Integration	2-Pin Lok-Bar™ Indexable to Couchtop
FDA Clearance	Yes
CE Marked (EU DOC)	Yes
Other Country Registrations	Available upon request

Technical Details

Primary Materials	Carbon Fiber	
Weight (approx)	8.89 kg / 19.6 lbs	
Dimensions (mm)	1289 L x 604 W x 315 H (min.)	
Dosimetric Properties	Location	Attenuation 6 MV photons
	Through entire Breastboard, Back Support & Base	● 3.11%

Technical Drawing



Country of Manufacture	USA
-------------------------------	-----

Packaging

Unit Pack	Each
Units / Box	One device - may have several component parts in box
Shelf Life	n/a
Warranty	See CIVCO RT website for Product Warranty Statement
Sterilization	Non-Sterile
Launch Date	August 2009

Accessories

System Customization	Compatible with: Posicast® Thermoplastics Posifix® Headrests Breast Support Thermoplastics Vac-Lok™ Cushions Monarch™ Overhead Arm Positioner: OAP100 C-Qual Storage: 013156
-----------------------------	--

Global Sales Office

Orange City, Iowa, USA
800.842.8688 | +1 712.737.8688

info@CivcoRT.com
www.CivcoRT.com

