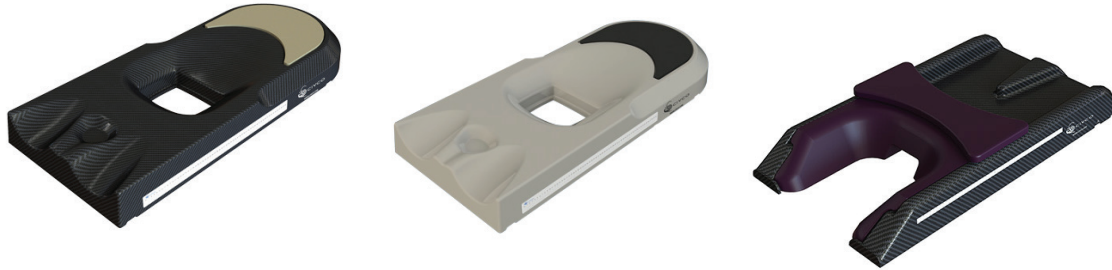


# Bellyboards

## CIVCO Technical Data Sheet

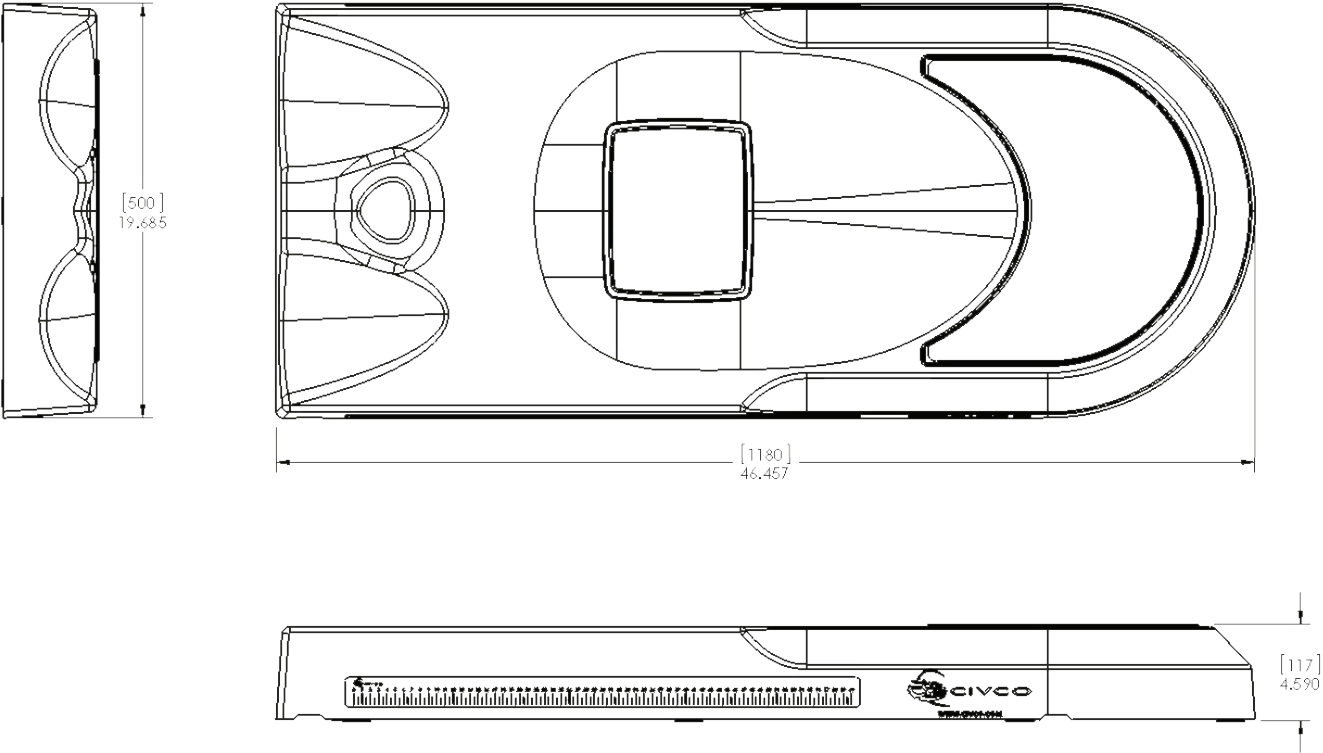


<b>Product Name</b>	Bellyboards	
<b>Product Number</b>	<b>125012</b>	Carbon Fiber Bellyboard
	<b>126000</b>	MRI Bellyboard
	<b>MTBBCF</b>	Contoura™ Bellyboard
<b>General Description</b>	Bellyboards assist in reducing the irradiated small bowel volume of patients undergoing treatment in the pelvic region.	
<b>Indications for use</b>	<b>126000</b>	Used to aid in the support and positioning of patients during MR, radiological, and other procedures.
	<b>125012</b>	Positioning of the lower abdomen of a patient during radiotherapy and diagnostics.
	<b>MTBBCF</b>	The intended use of this device is to provide a cutout for displacement of the small bowel from the treatment area.
<b>MRI Compatible</b>	126000 MRI Bellyboard is MR safe.	
<b>Integration</b>	<b>125012</b>	2-Pin indexable
	<b>126000</b>	3-Pin indexable
	<b>MTBBCF</b>	2-Pin indexable
<b>FDA Clearance</b>	Yes	
<b>CE Marked (EU DOC)</b>	Yes	
<b>Other Country Registrations</b>	Available upon request	
<b>Country of Manufacture</b>	USA	

# Technical Details

<b>Product Name</b>	<b>Carbon Fiber Bellyboard</b>
<b>Product Number</b>	125012
<b>Primary Materials</b>	Carbon Fiber Composite, Phenolic, EV50
<b>Weight (approx)</b>	10.1 lbs (4.58 kg)
<b>Dimensions (mm)</b>	1180 L x 500 W x 117 H
<b>Attenuation</b>	PA 2.8% at 6MV

## Technical Drawing

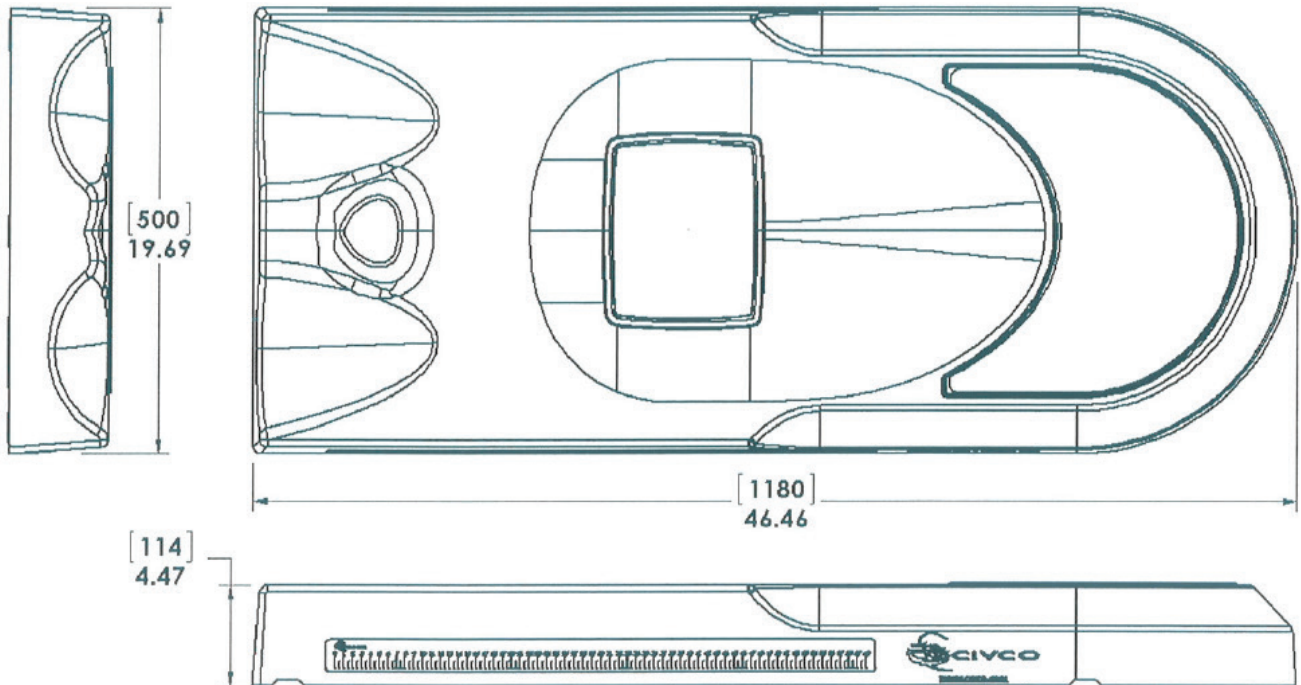


---

<b>Product Name</b>	<b>MRI Bellyboard</b>
<b>Product Number</b>	126000
<b>Primary Materials</b>	Fiberglass, Phenolic, EV50
<b>Weight (approx)</b>	11.5 lbs (5.22 kg)
<b>Dimensions (mm)</b>	1180 L x 500 W x 114 H

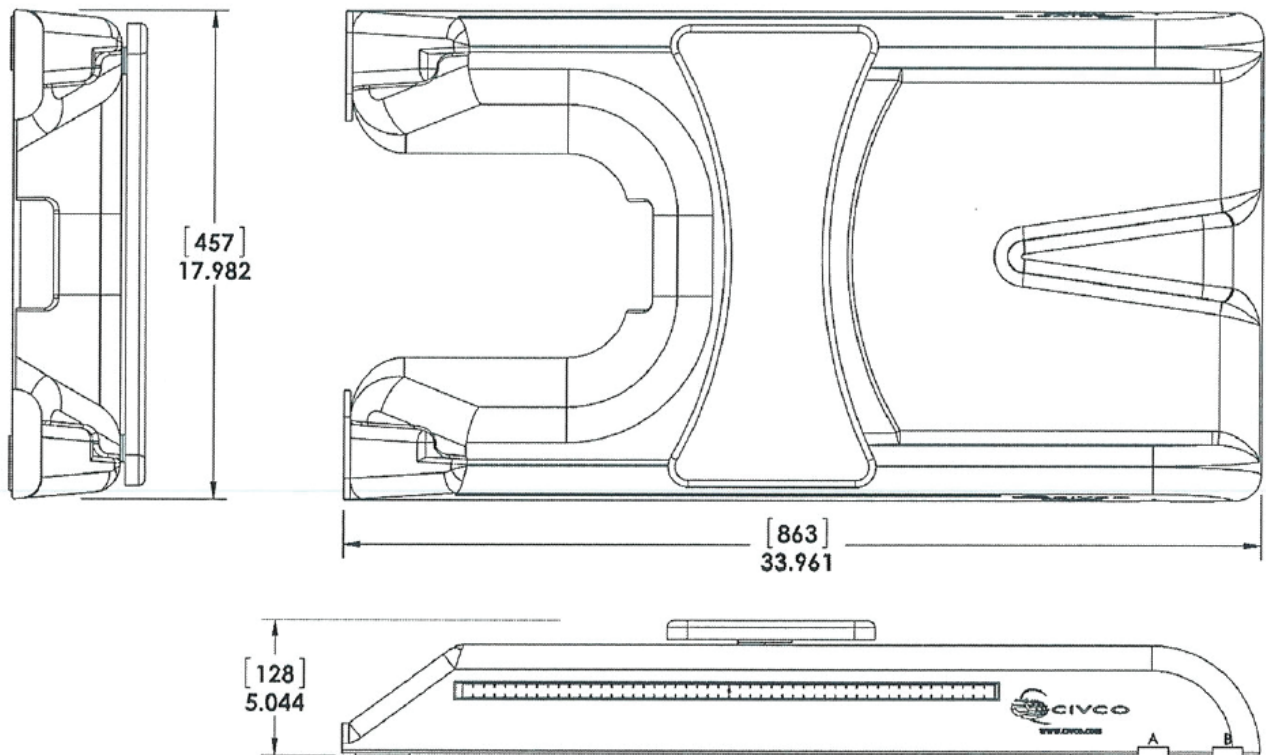
---

**Technical Drawing**



Product Name	Contoura™ Bellyboard
Product Number	MTBBCF
Primary Materials	Carbon Fiber Composite, Closed Cell 216EVA
Weight (approx)	7.8 lbs (3.53 kg)
Dimensions (mm)	863 L x 457 W x 128 H
Attenuation	PA 2.0% at 6MV

Technical Drawing



---

# Packaging

---

<b>Unit Pack</b>	Each	
<b>Units / Box</b>	One device - may have several component parts in box	
<b>Shelf Life</b>	n/a	
<b>Warranty</b>	<a href="#">See CIVCO website for Product Warranty Statement</a>	
<b>Sterilization</b>	Non-Sterile	
<b>Launch Date</b>	<b>125012</b>	2006
	<b>126000</b>	2012
	<b>MTBBCF</b>	2005

---

# Accessories

---

<b>System Customization</b>	<b>125012</b> Recommended for use with: Prone Thorax Support (301076)
	<b>126000</b> Recommended for use with: Prone Thorax Support (301102)

---

## Global Sales Office

Orange City, Iowa, USA  
800.842.8688 | +1 712.737.8688

[info@CivcoRT.com](mailto:info@CivcoRT.com)  
[www.CivcoRT.com](http://www.CivcoRT.com)

